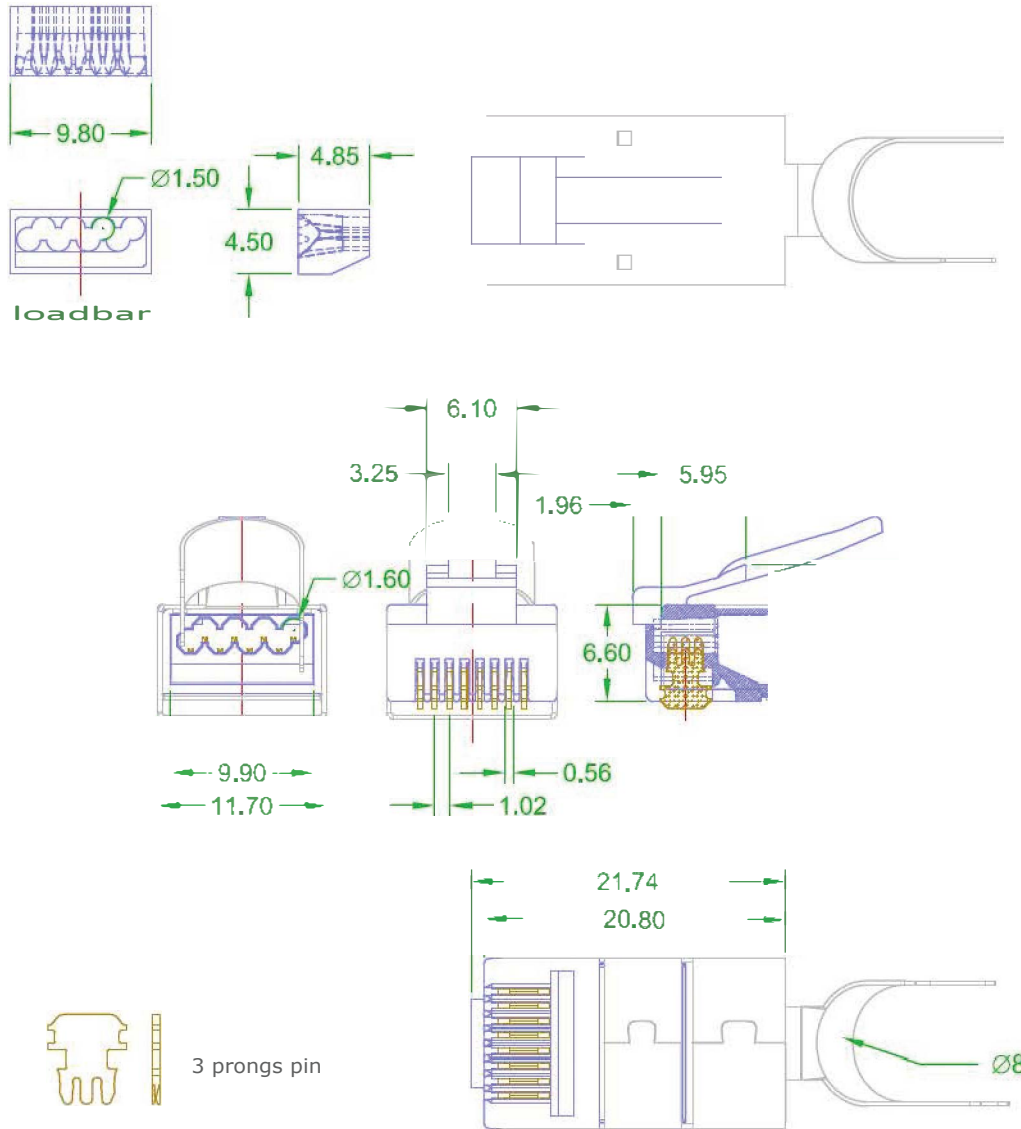




**QuickTrex Cat 8 Shielded Modular Plug with Loadbar**

**Part # QT-C8SP-10**

1. Housing Material: Polycarbonate, UL Flammability Rating:  
UL 94V-2, RoHS Compliant
2. Contacts Type: Three Prong Pin Fits Solid & Stranded Wires
3. Gold Plating: 50u" ( $\geq 1.27\mu\text{m}$ ).
4. Packaging Quantity: 10 PCS
5. Housing Color: Transparent
6. Shielded Material : Brass with Nickel Plated
7. Operating Temperature: -10°C to 60°F



TAA Compliant

NOTE TOL:±0.1

B	2018.04.16. Rescheduling coding	3RD	⊕	⊖	Drawing	Chidry	Date	2013/10/08	UL Code	L8P8C-SX
A	An initial version				Checked	Chris	Date	2013/10/08	Description	
Rev	Description	Unit	m/m	Scale	1:1	Approved	Jason	Date	2013/10/08	F Shielded 2 layers 1.6mm wire hole and insert 1.5mm with cable clip 8,0mm



CONTACT  
SALES@LANSHACK.COM  
888-568-1230