

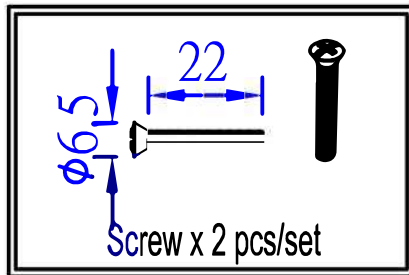
Features:
Fits mid-sized or standard single gang back box

Material:
PC / ABS UL94V-0 THERMOPLASTIC

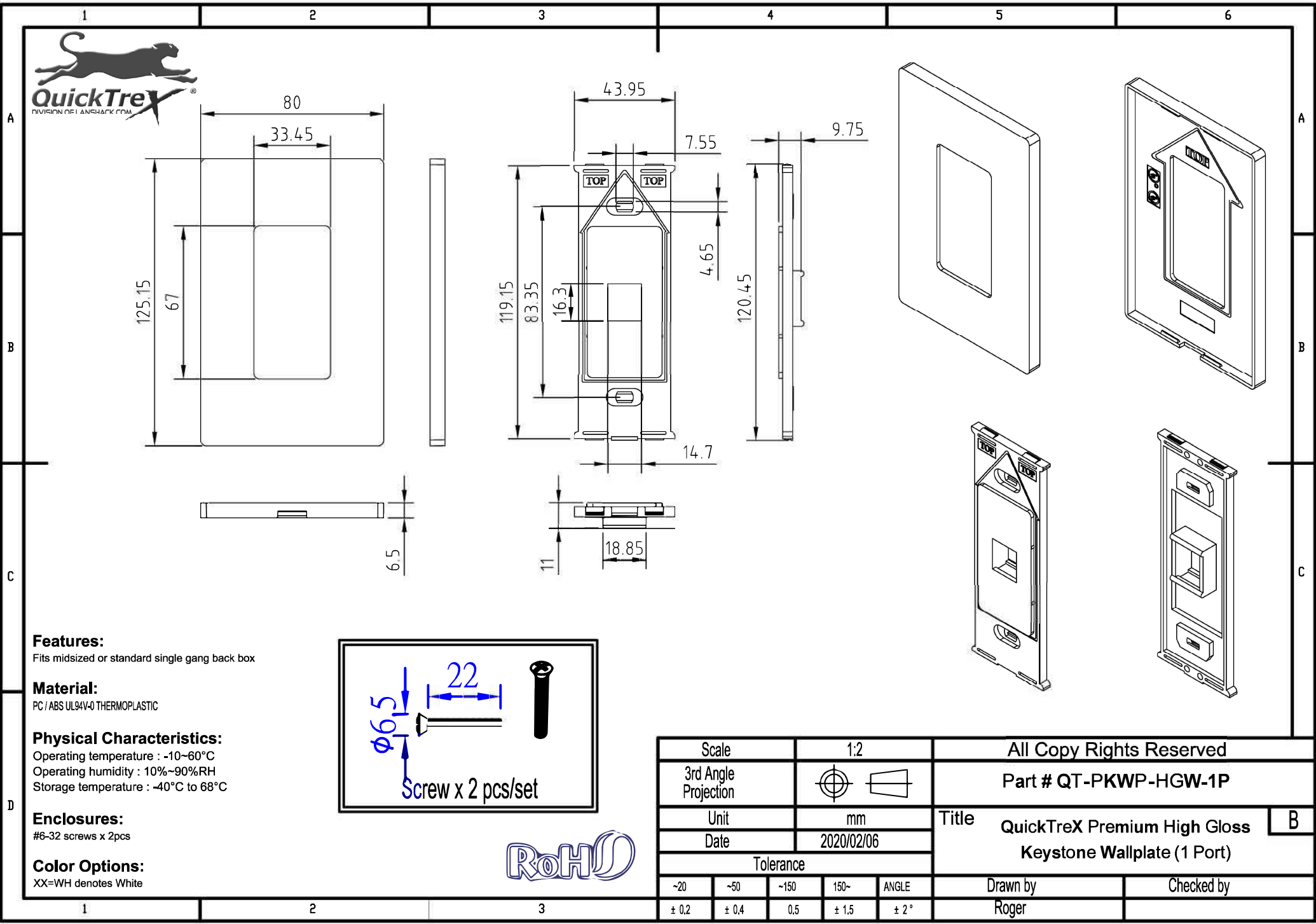
Physical Characteristics:
Operating temperature : -10~60°C
Operating humidity : 10%~90%RH
Storage temperature : -40°C to 68°C

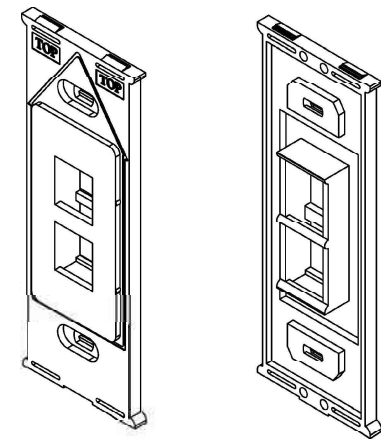
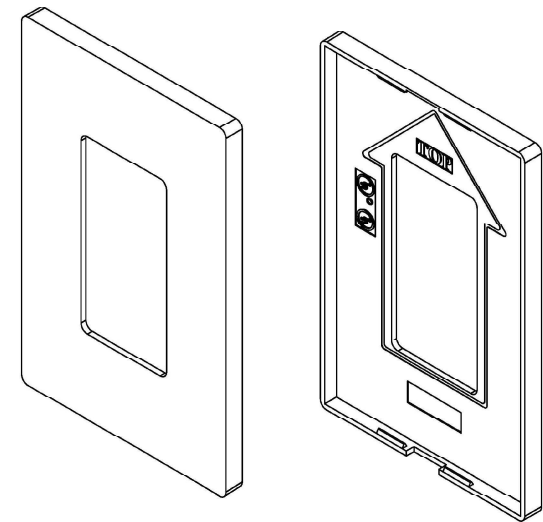
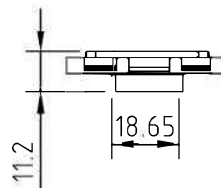
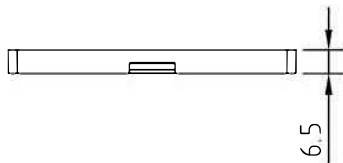
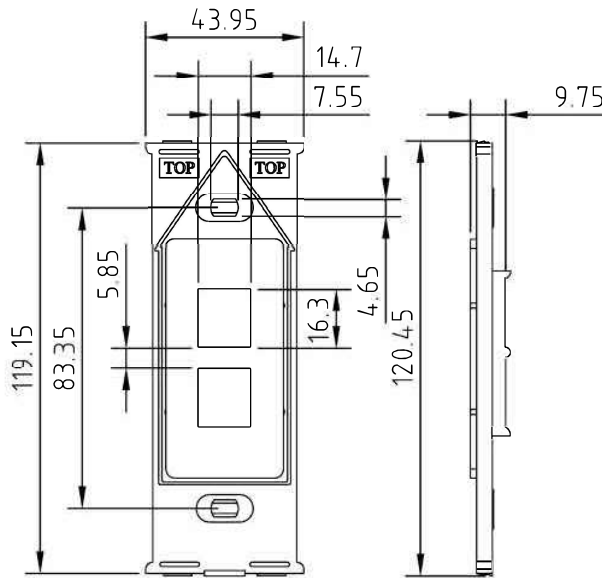
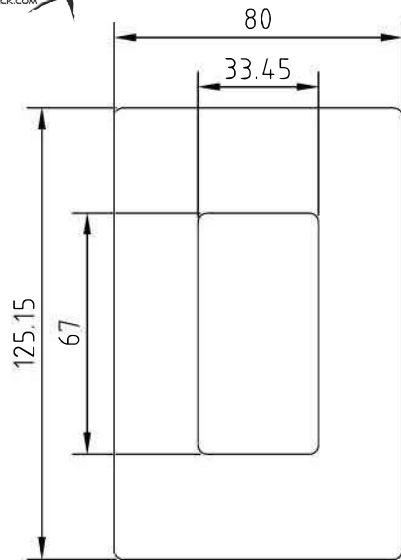
Enclosures:
#6-32 screws x 2pcs

Color Options:
XX=WH denotes White



| | | | | | |
|----------------------|------------|--------------------------|-------|------------------------------|------------|
| Scale | 1:2 | All Copy Rights Reserved | | | |
| 3rd Angle Projection | | Part # QT-PKWP-HGW-1P | | | |
| Unit | mm | Title | | QuickTrex Premium High Gloss | |
| Date | 2020/02/06 | | | Keystone Wallplate (1 Port) | |
| Tolerance | | | | | |
| -20 | -50 | -150 | 150~ | ANGLE | Drawn by |
| ± 0.2 | ± 0.4 | 0.5 | ± 1.5 | ± 2° | Roger |
| | | | | | Checked by |





Features:

Fits mid-sized or standard single gang back box

Material:

PC / ABS UL94V-0 THERMOPLASTIC

Physical Characteristics:

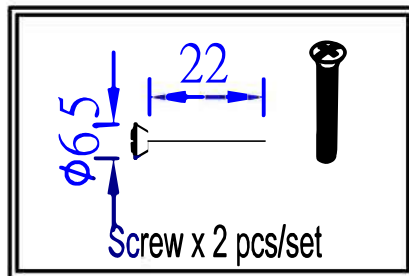
Operating temperature : -10~60°C
 Operating humidity : 10%~90%RH
 Storage temperature : -40°C to 68°C

Enclosures:

#6-32 screws x 2pcs

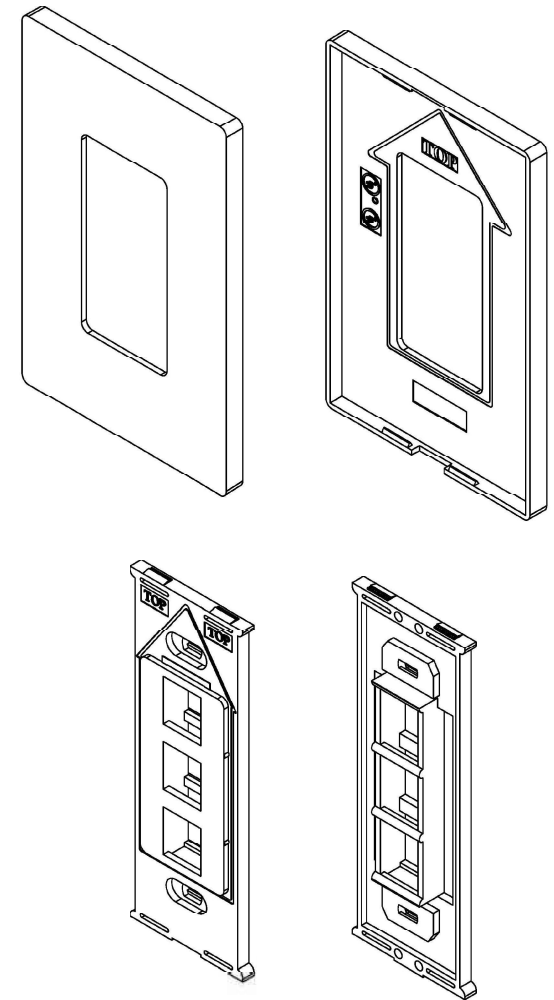
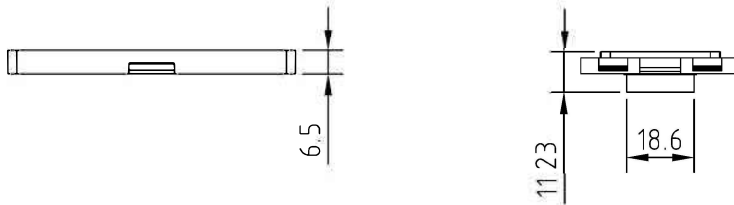
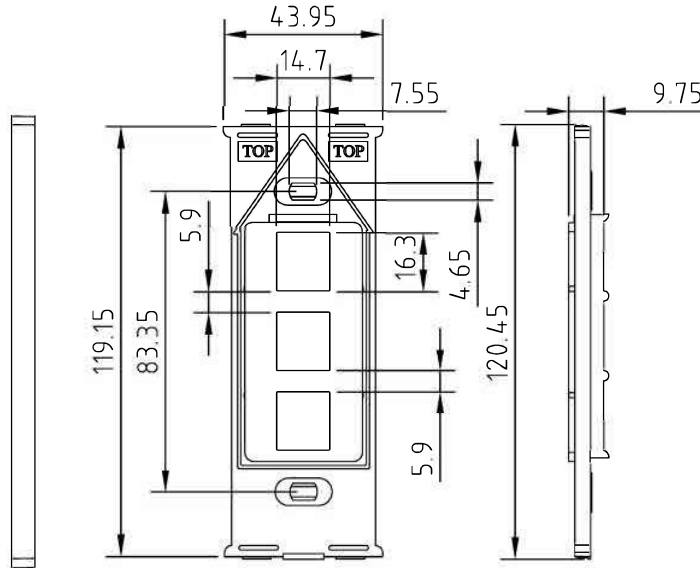
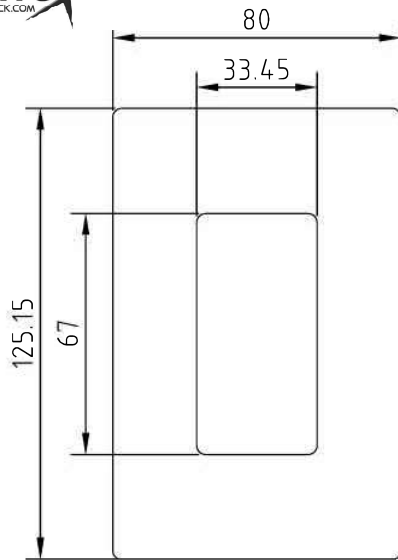
Color Options:

XX=WH denotes White



| | | | | | |
|----------------------|-------|------------|-------|------------------------------|----------|
| Scale | | 1:2 | | All Copy Rights Reserved | |
| 3rd Angle Projection | | | | Part # QT-PKWP-HGW -2P | |
| Unit | | mm | | Title | |
| Date | | 2020/02/06 | | QuickTrex Premium High Gloss | |
| | | | | Keystone Wallplate (2 Port) | |
| Tolerance | | | | | |
| -20 | -50 | -150 | 150~ | ANGLE | Drawn by |
| ± 0.2 | ± 0.4 | 0.5 | ± 1.5 | ± 2° | Roger |
| | | | | Checked by | |

B



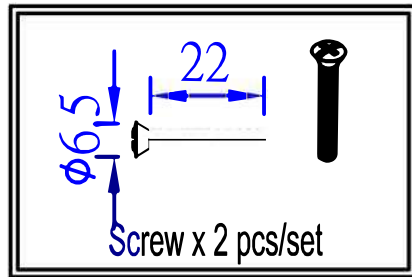
Features:
Fits mid-sized or standard single gang back box

Material:
PC / ABS UL94V-0 THERMOPLASTIC

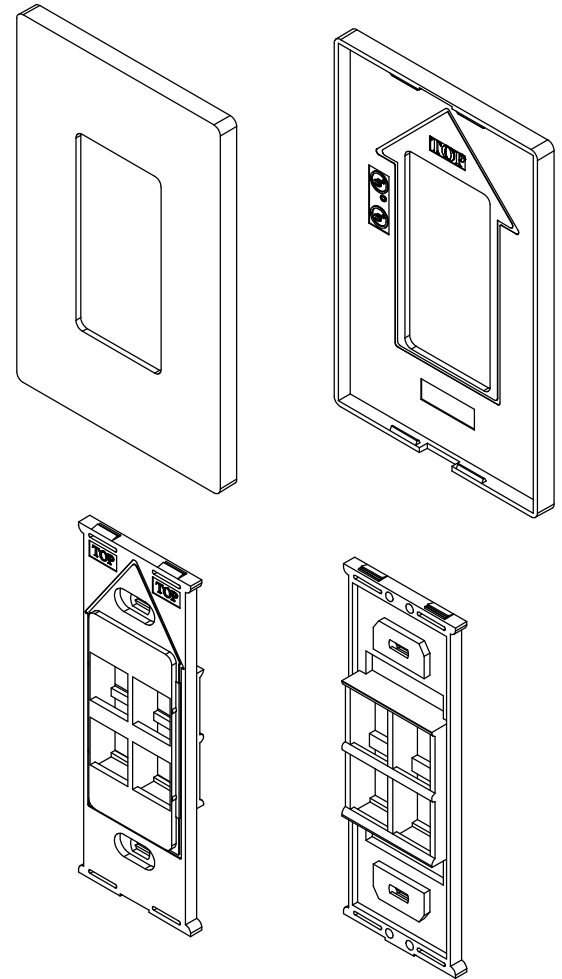
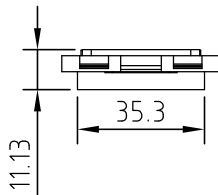
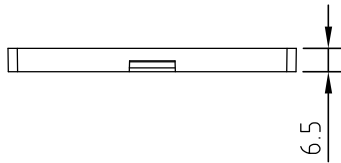
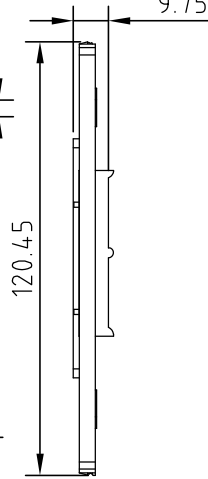
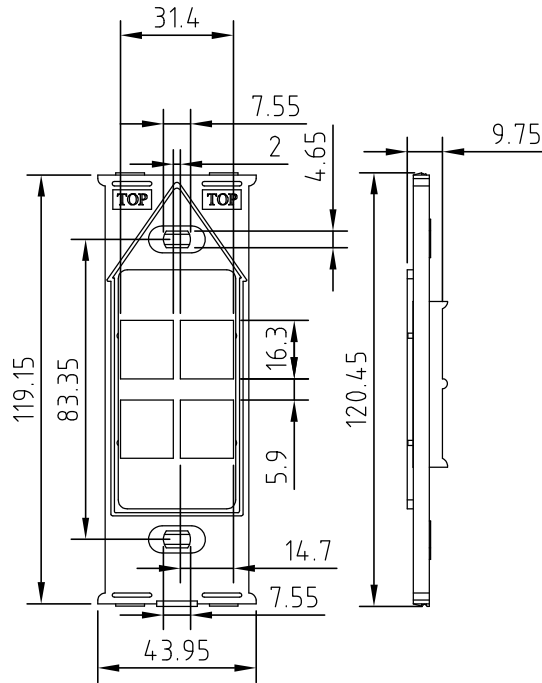
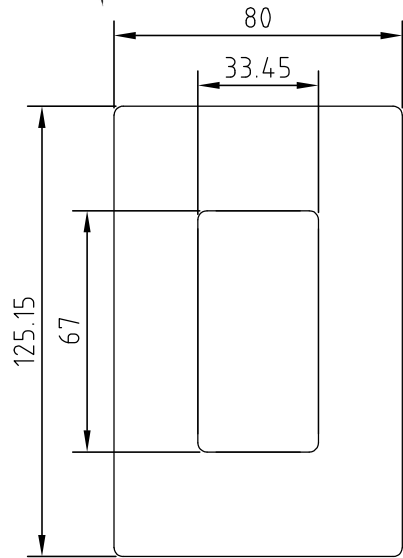
Physical Characteristics:
Operating temperature : -10~60°C
Operating humidity : 10%~90%RH
Storage temperature : -40°C to 68°C

Enclosures:
#6-32 screws x 2pcs

Color Options:
XX=WH denotes White



| | | | | | |
|----------------------|------------|--------------------------|-------|------------------------------|------------|
| Scale | 1:2 | All Copy Rights Reserved | | | |
| 3rd Angle Projection | | Part # QT-PKWP-HGW-3P | | | |
| Unit | mm | Title | | QuickTrex Premium High Gloss | |
| Date | 2020/02/06 | | | Keystone Wallplate (3 Port) | |
| Tolerance | | | | | |
| -20 | -50 | -150 | 150- | ANGLE | Drawn by |
| ± 0.2 | ± 0.4 | 0.5 | ± 1.5 | ± 2° | Roger |
| | | | | | Checked by |



Features:

Fits mid-sized or standard single gang back box

Material:

PC / ABS UL94V-0 THERMOPLASTIC

Physical Characteristics:

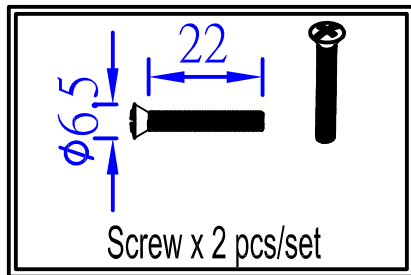
Operating temperature : -10~60°C
 Operating humidity : 10%~90%RH
 Storage temperature : -40°C to 68°C

Enclosures:

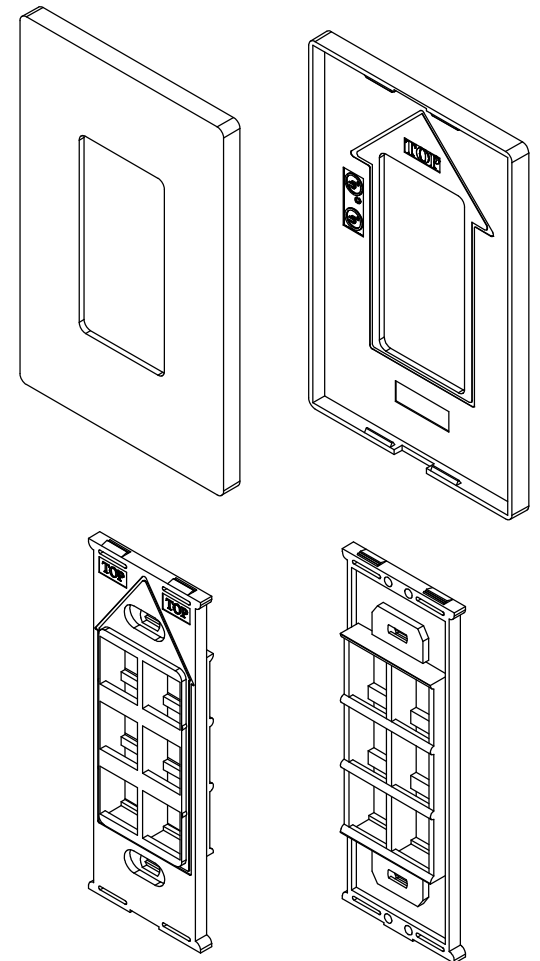
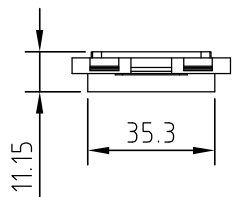
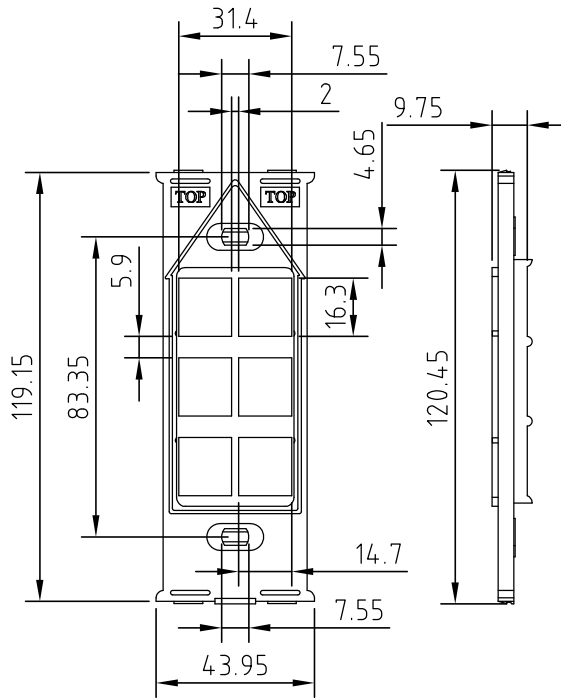
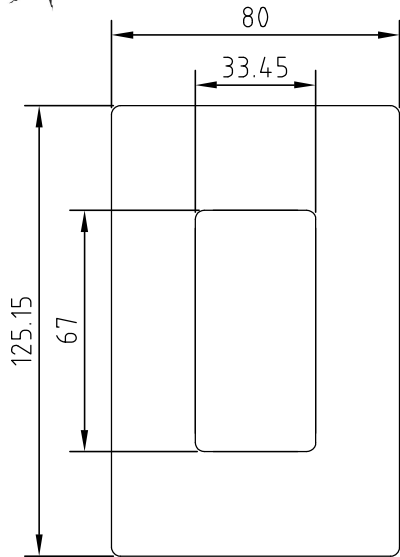
#6-32 screws x 2pcs

Color Options:

XX=WH denotes White



| | | | | | |
|----------------------|------------|--------------------------|-------|--|-------|
| Scale | 1:2 | All Copy Rights Reserved | | | |
| 3rd Angle Projection | | Part # QT-PKWP-HGW-4P | | | |
| Unit | mm | Title | | QuickTreX Premium High Gloss Keystone Wallplate (4 Port) B | |
| Date | 2020/02/06 | Checked by | | | |
| Tolerance | | Drawn by | | Checked by | |
| -20 | -50 | -150 | 150~ | ANGLE | |
| ± 0.2 | ± 0.4 | 0.5 | ± 1.5 | ± 2° | Roger |



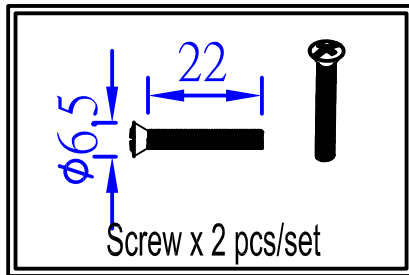
Features:
Fits mid-sized or standard single gang back box

Material:
PC / ABS UL94V-0 THERMOPLASTIC

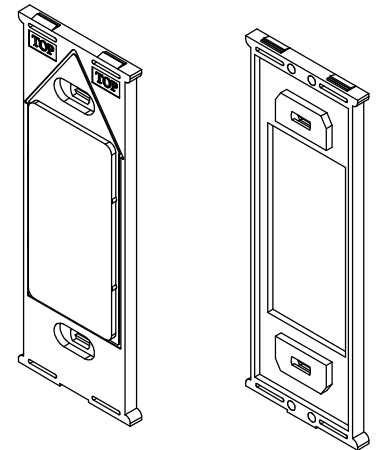
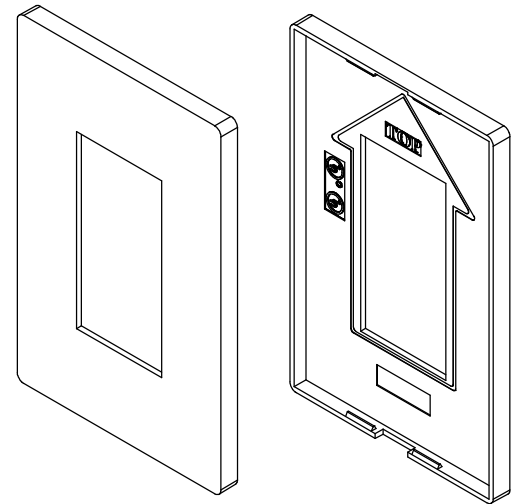
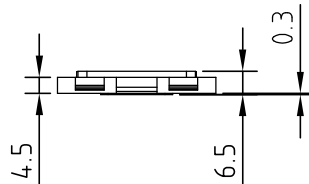
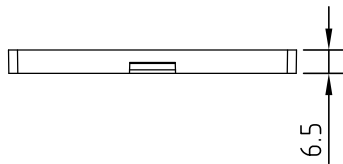
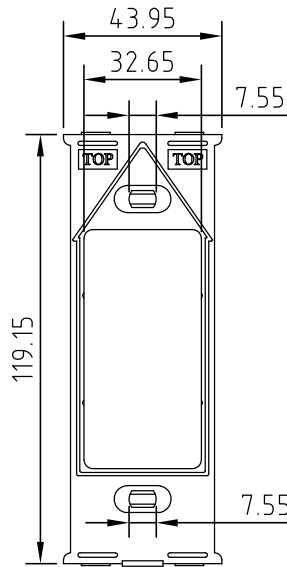
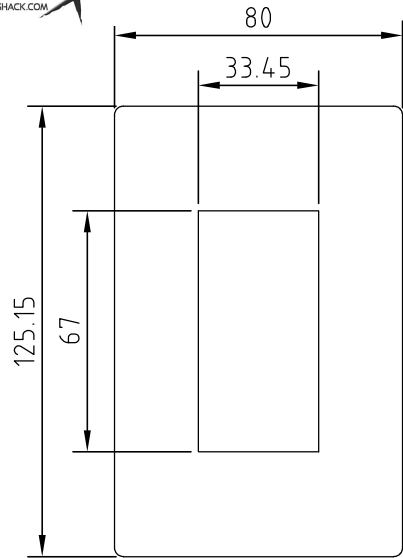
Physical Characteristics:
Operating temperature : -10~60°C
Operating humidity : 10%~90%RH
Storage temperature : -40°C to 68°C

Enclosures:
#6-32 screws x 2pcs

Color Options:
XX=WH denotes White



| | | | | | |
|----------------------|------------|------------------------------------|-------|-------|------------|
| Scale | 1:2 | All Copy Rights Reserved | | | |
| 3rd Angle Projection | | Part # QT-PKWP-HGW-6P | | | |
| Unit | mm | Title QuickTrex Premium High Gloss | | B | |
| Date | 2020/02/06 | Keystone Wallplate (6 Port) | | | |
| Tolerance | | | | | |
| ~20 | ~50 | ~150 | 150~ | ANGLE | Drawn by |
| ± 0.2 | ± 0.4 | 0.5 | ± 1.5 | ± 2° | Roger |
| | | | | | Checked by |



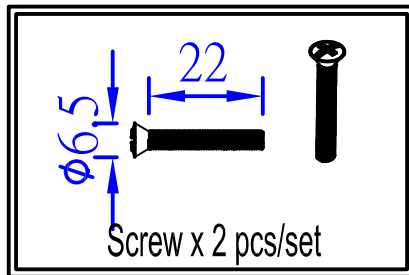
Features:
Fits mid-sized or standard single gang back box

Material:
PC / ABS UL94V-0 THERMOPLASTIC

Physical Characteristics:
Operating temperature : -10~60°C
Operating humidity : 10%~90%RH
Storage temperature : -40°C to 68°C

Enclosures:
#6-32 screws x 2 pcs

Color Options:
XX=WH denotes White



| | | | | | |
|----------------------|------------|--------------------------|-------|---|--|
| Scale | 1:2 | All Copy Rights Reserved | | | |
| 3rd Angle Projection | | Part # QT-PKWP-HGW-BP | | | |
| Unit | mm | Title | | QuickTrex Premium High Gloss Keystone Wallplate (Blank Plate) B | |
| Date | 2020/02/06 | Drawn by Roger | | | |
| Tolerance | | Checked by | | | |
| ~20 | ~50 | ~150 | 150~ | ANGLE | |
| ± 0.2 | ± 0.4 | 0.5 | ± 1.5 | ± 2° | |