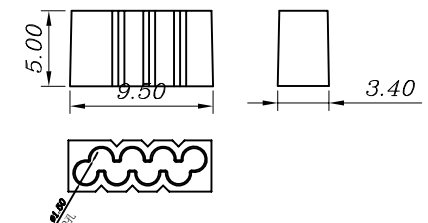
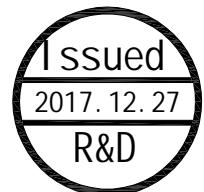
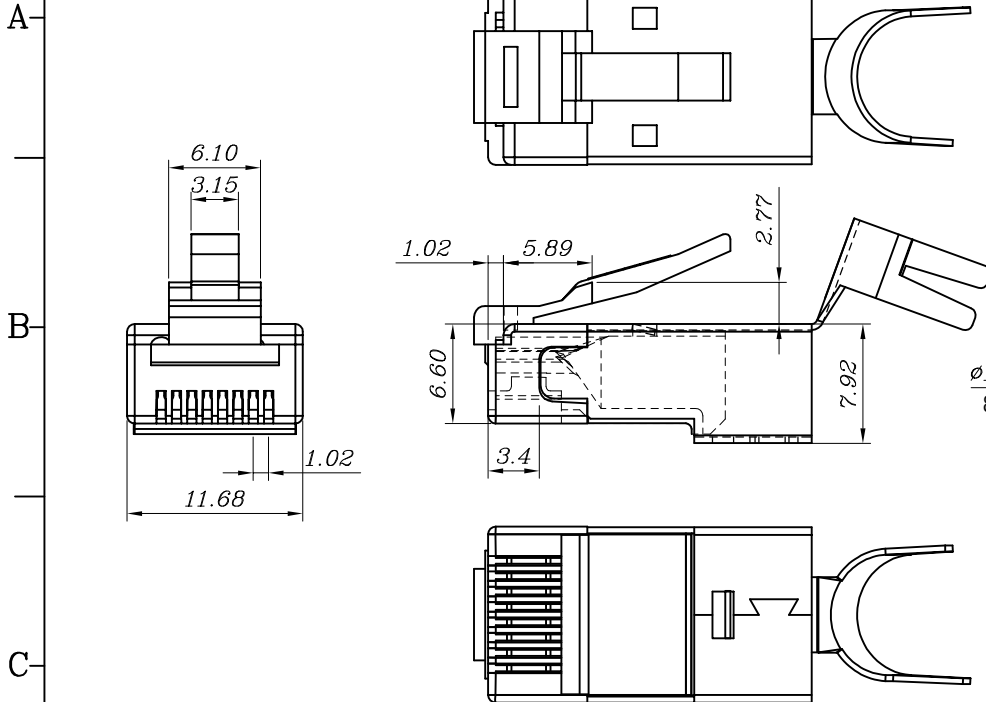


NOTE: ALL MATERIAL COMPLIANT ROHS STANDARD

REV	DATE	MODIFICATION	DRAWN

SPECIFICATIONS

- ELECTRICAL:**
 UL APPLICATIONS: 250 VOLTS AC MAX., AT 2 AMPS.
 DIELECTRIC WITHSTANDING VOLTAGE: 1000 VOLTS AC.
 INSULATION RESISTANCE: 500 M Ω.
 TERMINATION: RESISTANCE 20m Ω MAX AFTER ENVIRONMENTAL TESTING.
- MECHANICAL:**
 CABLE-TO-PLUG TENSILE STRENGTH: 20POUND MIN.
 DURABILITY: 1200 MATING CYCLES.
- MATERIAL & FINISH:**
 HOUSING: POLYCARBONATE, UL94V-0 OR UL94V-2.
 COLOR: TRANSPARENT OR OTHER COLOR ARE AVAILABLE.
 CONTACT BLADE: COPPER ALLOY.
 CONDUCTOR: STRANDED & SOLID WIRE, 22AWG, 24 AWG.
 (It can be used for the wire OD from Ø 1.35-Ø1.45)
 GOLD PLATING: 3u"-50u", ARE AVAILABLE.



BLADE:	E	EB	Y	YB	Z	A	AE	AB	EC	AL	ZL	YBL
Drawing												
Mark					✓						✓	
GOLD PLATING	3Mu"	3u"	6u"	15u"	30u"	50u"	CABLE TYPE	ROUND	FLAT			
Mark						✓	Mark	✓				

Purchase @ LANshack.com Contact Sales at 888-568-1230
 or Email us at Sales@LANshack.com

DRAWN BY	DATE: 2017/12/27	DESCRIPTION: P88R5Z50V2SIT-3Y(wire hole 1.5mm) (RJ45 CAT.7 Shielded Plug Solid 50Micron 3 Prong 20pk)
CHECKED BY	SHEET 1 of 1	ITEM NO. 101420-20
APPROVED BY	SCALE 1:1	REV. 00 UNIT: mm