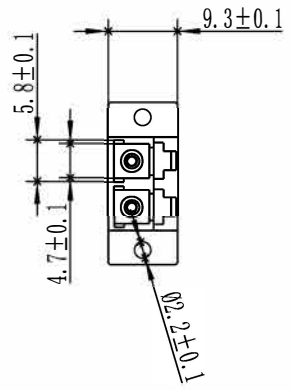
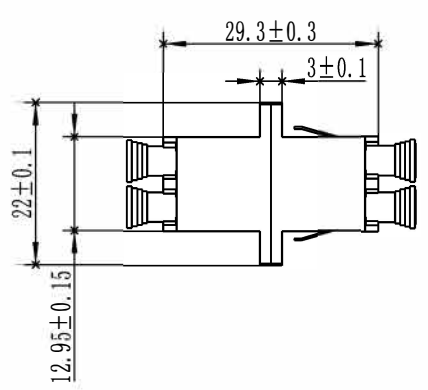
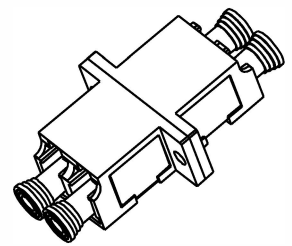


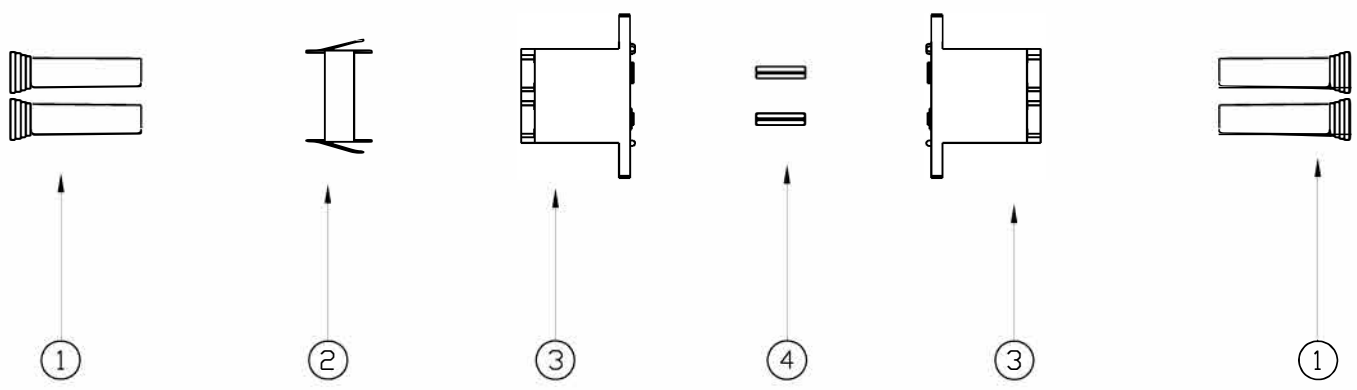
NOTE: ALL MATERIAL COMPLIANT ROHS STANDARD

REVISION INFORMATION			
Rev.	Rev. Date	Modified By	Brief Description




PART	MAT NO.	PAPT NAME	MAT.
1	FBK-ADAPTER-LC-010	LC-DUST CAP	PP
2	FBK-ADAPTER-001	SHRAPNEL	SUS304
3	FBK-ADAPTER-LC-004	OUTER HOUSER LC 2	PC
4	FBK-ADAPTER-LC-007	SLEEVES_LC	CERAMIC

Parameter	LC-LC			
	SM	MM	APC	OM3
Insertion Loss (db)	≤0.25	≤0.25	≤0.25	≤0.25
Mechanical Durability	>500			
Sleeve	ZrO2			
Operation wavelength	1310nm~1550nm~850nm			
Operating Temperature(°C)	-40~+75			
Storage Temperature (°C)	-40~+85			



NO.	PART NAME	SPECIFICATION DESCRIPTION	QTY	UNIT
③				
②				
①				



Purchase @ **LANshack.com** Contact Sales 888-568-1230
 Email Sales@LANshack.com

DRAWN BY	DATE: 2015/5/15	DESCRIPTION: LC Duplex OM1 Coupler
CHECKED BY	SHEET 1 of 1	ITEM NO. LC-FODC-M1-02
APPROVED BY	SCALE 1:1	REV. 00 UNIT: mm