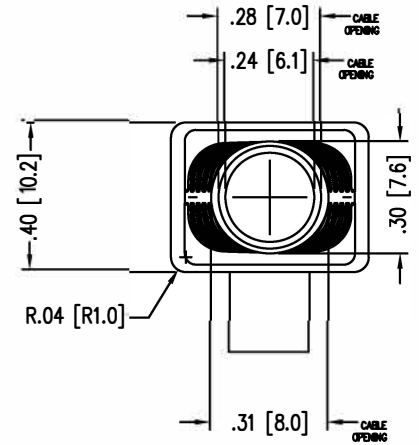
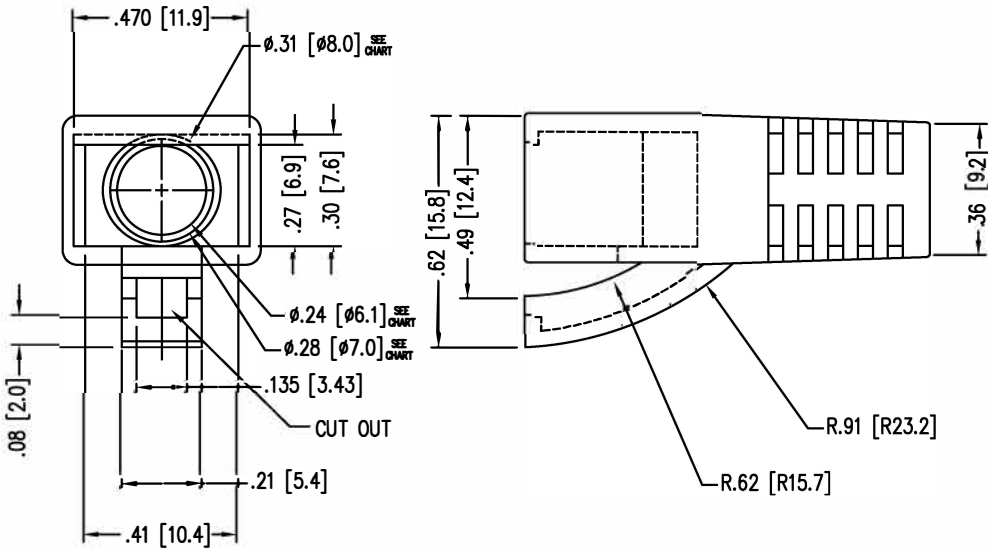
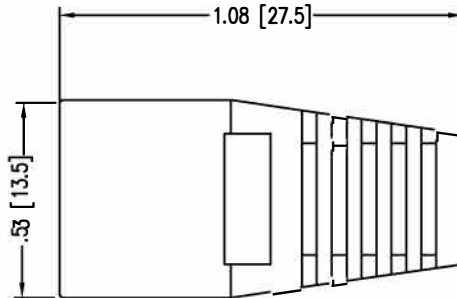
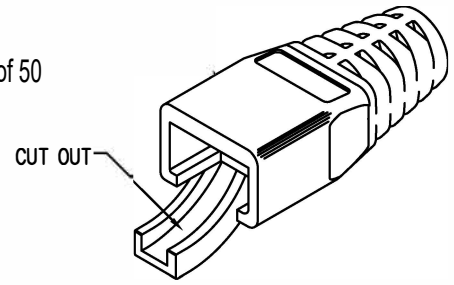




QuickTrex® 8MM Strain Relief Boots for
Category 6A, 6E (& 5E), Shielded Modular Plugs - Bag of 50



DRAWING SHOWS MULTIPLE CABLE OPENINGS

Product Base SKU # QT-B08

QT-B08-GY--GREY		
QT-B08-BU--BLUE		
QT-B08-YW--YELLOW		
QT-B08-WT--WHITE		
QT-B08-CL--CLEAR		

MATERIAL:
PVC

FEATURES:
SNAGLESS TAB



CONTACT
SALES@LANSHACK.COM
888-568-1230

4/1/21 REV A4
6/15/09 REV A3
5/09/09 REV A2