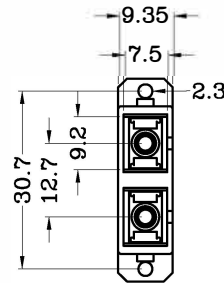
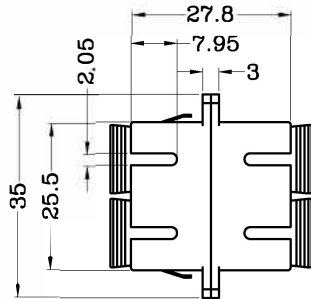
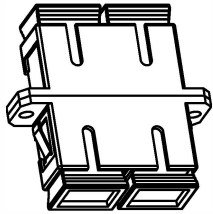


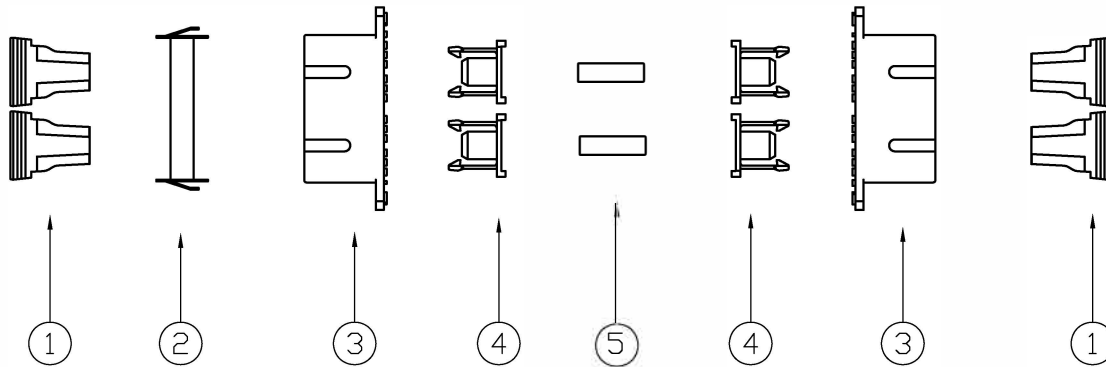
NOTE: ALL MATERIAL COMPLIANT ROHS STANDARD

REVISION INFORMATION			
Rev.	Rev. Date	Modified By	Brief Description




PART	MAT NO.	PAPT NAME	MAT.
1	FBK-ADAPTER-SC-014	DUST CAP	PP
2	FBK-ADAPTER-002	SHRAPNEL Double	SUS304
3	FBK-ADAPTER-SC-003	OUTER HOUSER Double	PC
4	FBK-ADAPTER-SC-005	CORE	PET+GF
5	FBK-ADAPTER-SC-013	SLEEVES	CERAMIC

Parameter	SC-SC			
	SM	MM	APC	OM3
Insertion Loss (db)	≤0.25	≤0.25	≤0.25	≤0.25
Mechanical Durability	>500			
Sleeve	ZrO2			
Operation wavelength	1310nm~1550nm~850nm			
Operating Temperature(°C)	-40~+75			
Storage Temperature (°C)	-40~+85			



NO.	PART NAME	SPECIFICATION DESCRIPTION	QTY	UNIT
③				
②				
①				



Purchase @ **LANshack.com** Contact Sales 888-568-1230
Email Sales@LANshack.com

DRAWN BY	DATE: 2014/09/17	DESCRIPTION: SC Duplex Fiber Optic Coupler
CHECKED BY	SHEET 1 of 1	ITEM NO. SC-FOD C-M1-02
APPROVED BY	SCALE 1:1	REV. 00 UNIT: mm