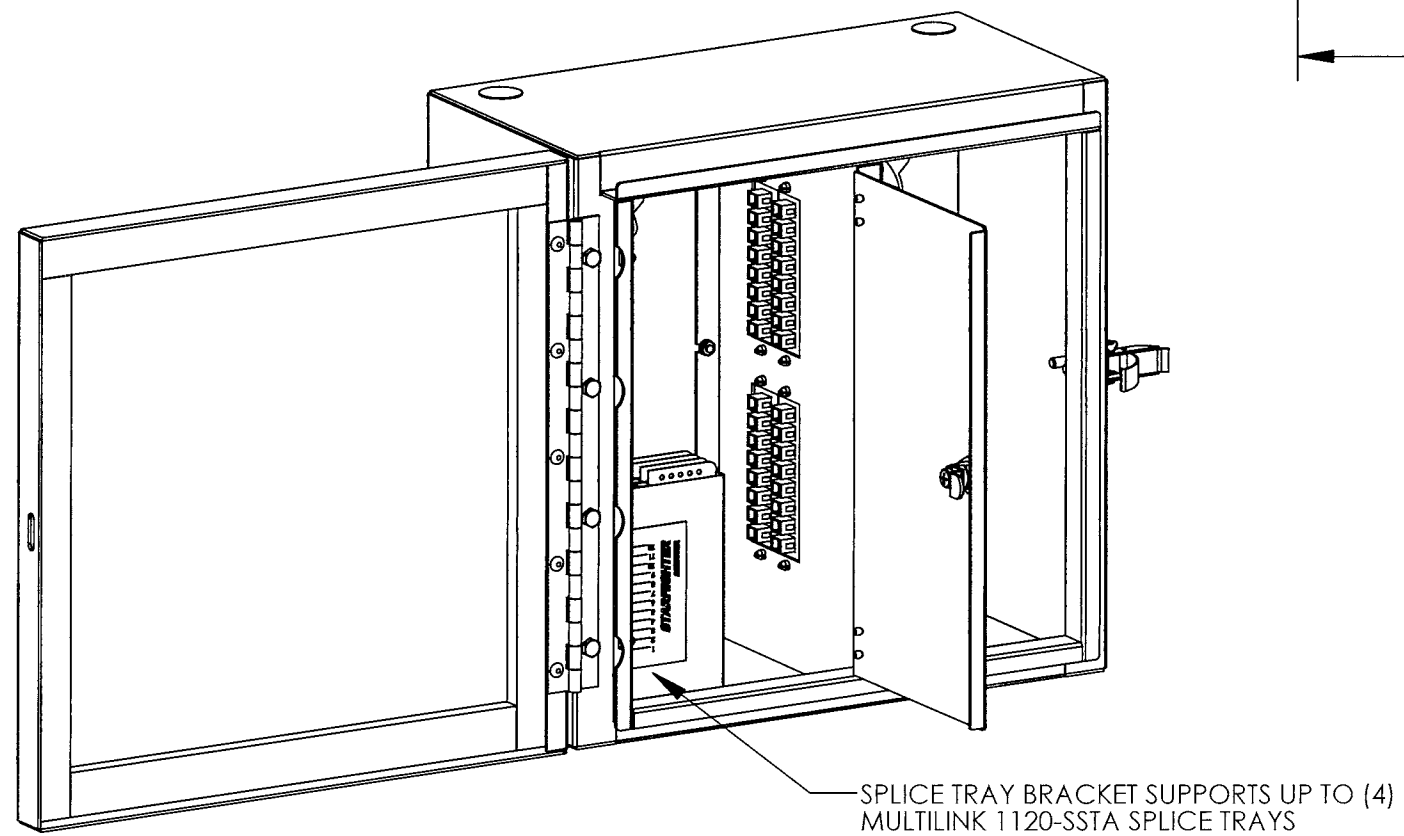
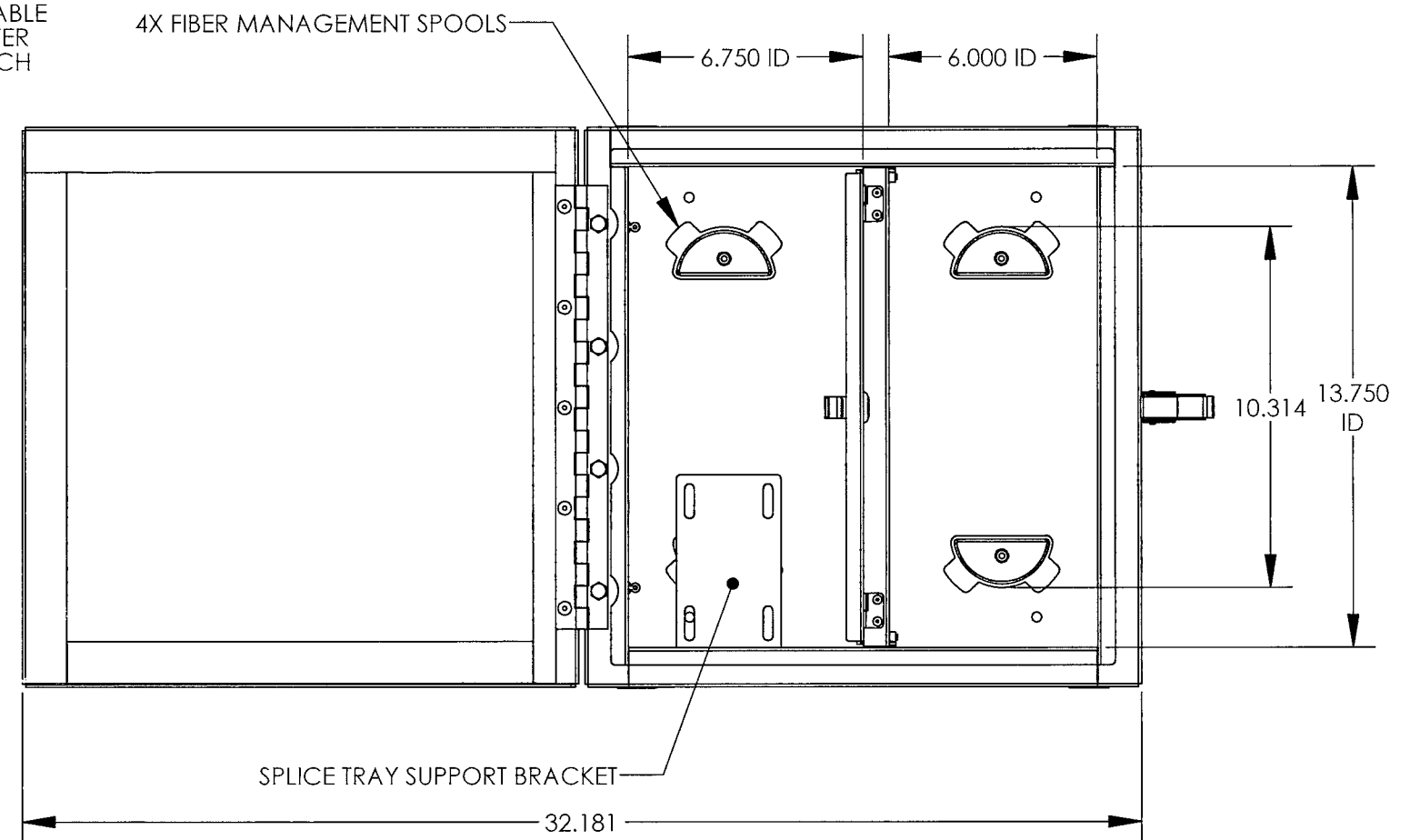
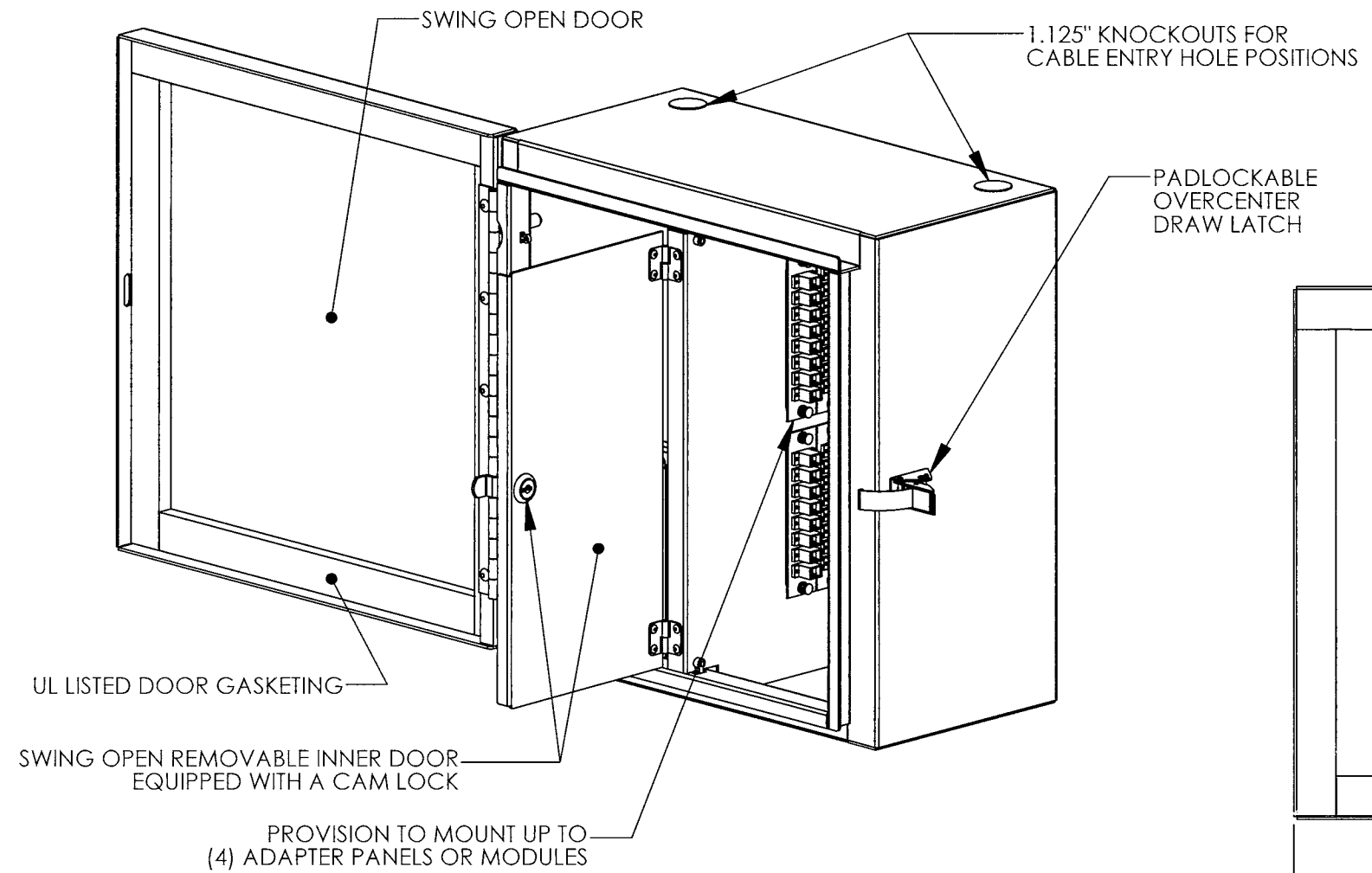


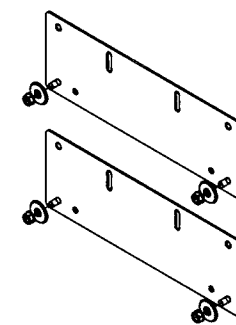
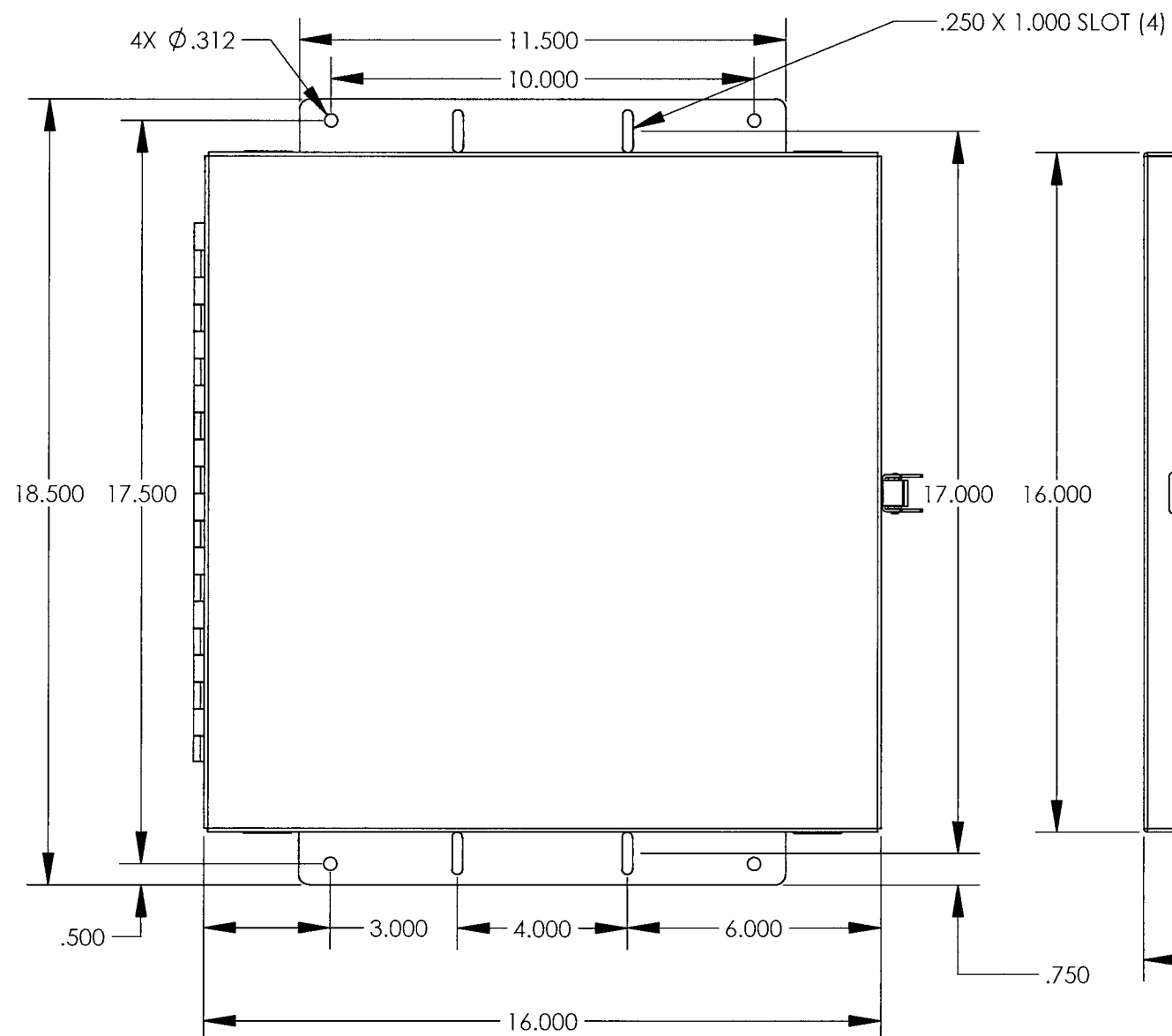
REV.	ECN #	DESCRIPTION OF CHANGE	DATE	BY	MFG ENG
03	2477	REDESIGNED ASSEMBLY	10/04/11	SAB	
04	2767	UPDATE PACKING	08/29/12	SAB	
05	2815	MISC HARDWARE UPDATE	10/17/12	TT	
06	3190	ADD INSTALLATION PROCEDURE	10/25/13	SAB	



- NOTES:
- ENCLOSURE CONSTRUCTED OUT OF DURABLE & CORROSION RESISTANT 3003 ALUMINUM.
 - STAINLESS STEEL DOOR HINGES.
 - COMPLETELY WELDED CONSTRUCTION FOR HIGHER STRENGTH AND SEALING.
 - ENCLOSURE AS SHOWN ON THIS SHEET IS NEMA TYPE 1 COMPLIANT AS ORDERED BY P/N 045-080-10. SEE SHEET 2 FOR INCLUDED ACCESSORIES.
 - AVAILABLE IN SANDSTONE UL LISTED #20-8256HY.
 - ADAPTER PANELS AND SPLICE TRAYS SHOWN FOR REFERENCE ONLY.
 - WALL MOUNT AND POLE MOUNT BRACKETS ARE SHOWN FOR REFERENCE ONLY.

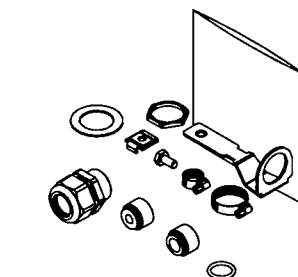
UNLESS OTHERWISE SPECIFIED DIMENSIONS ARE IN INCHES TOLERANCES ARE: FRACTIONS: ±1/32 DECIMALS: .XX=±.03 ANGLES: ±1° .XXX=±.010		THIS DOCUMENT AND THE INFORMATION CONTAINED THEREIN ARE CONFIDENTIAL & PROPRIETARY TO MULTILINK AND MAY NOT BE COPIED OR DISCLOSED TO OTHERS WITHOUT A WRITTEN CONSENT FROM MULTILINK. THE INFORMATION IS TO BE PROMPTLY RETURNED TO MULTILINK UPON REQUEST.		Multilink
ALL FLATS TO BE ±.005 NO SHARP EDGES OR BURRS ALLOWED		DRAWN BY: L.P.K. DATE: 05/02/2007		
MATERIAL: SEE BOM		CHECKED: DATE:		FWM-4X-N4D-BE
FINISH: SANDSTONE		MFG ENG: DATE:		
DO NOT SCALE DRAWING		QUALITY ENG: DATE:		SIZE B DWG. NO. 045-080-10REF REV. 06
				SCALE: 1:5 CAD FILE: 045-080-10REF.SHEET: 1 OF 3

REV.	ECN #	DESCRIPTION OF CHANGE	DATE	BY	MFG ENG
03	2477	REDESIGNED ASSEMBLY	10/04/11	SAB	
04	2767	UPDATE PACKING	08/29/12	SAB	
05	2815	MISC HARDWARE UPDATE	10/17/12	TT	
06	3190	ADD INSTALLATION PROCEDURE	10/25/13	SAB	



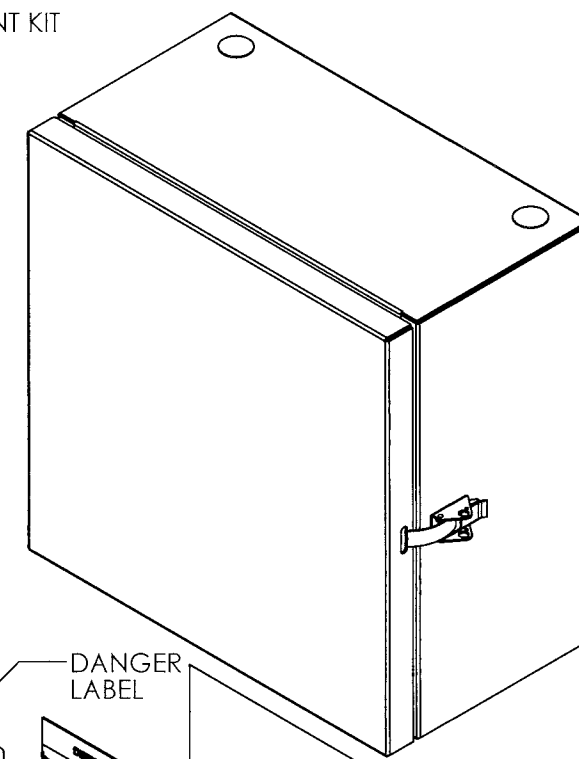
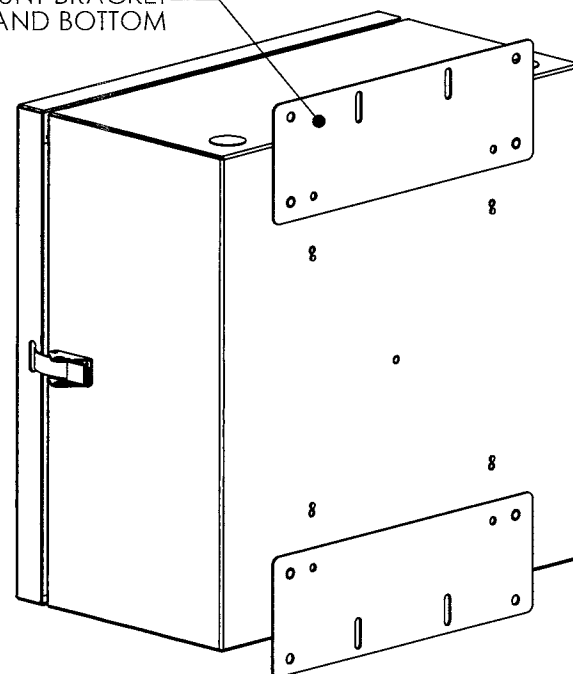
OPTIONAL WALL MOUNT KIT
P/N 072-105-11

2X STRAIN RELIEF KIT
FOR 3/4" NPT FITTING



2X KEY FOR INNER
DOOR LOCK

WALL MOUNT BRACKET
TOP AND BOTTOM

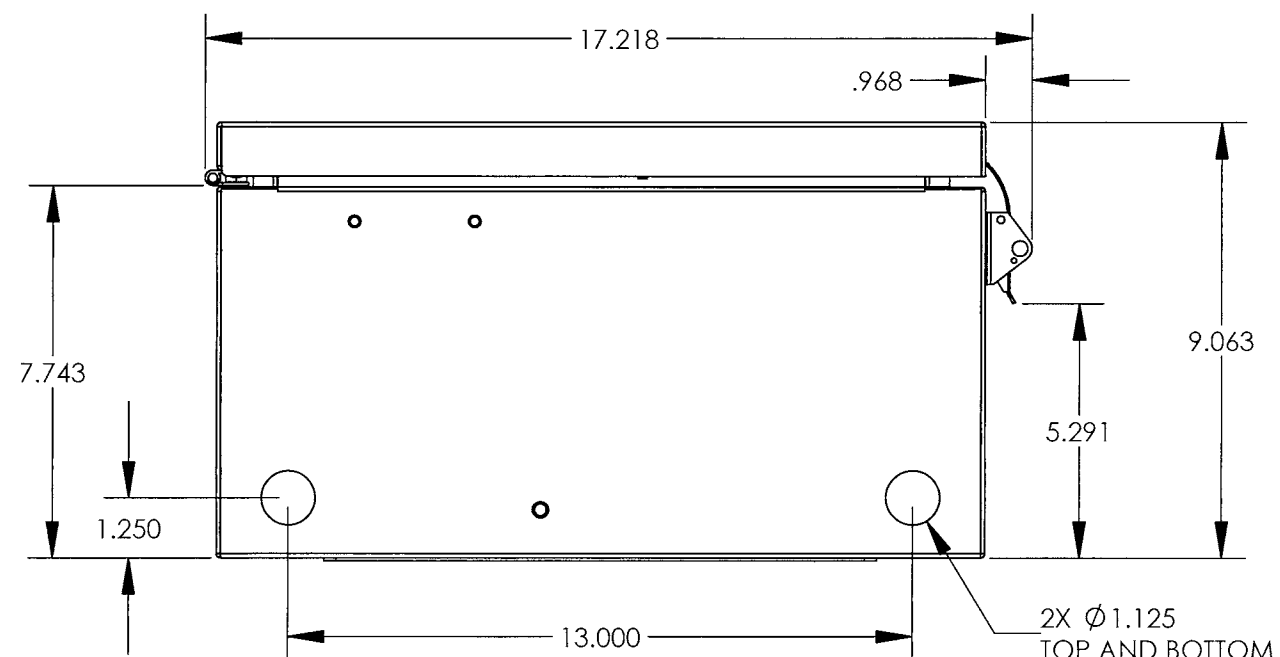


DANGER LABEL

BAG FOR KIT

72 / 144 PORT
DISTRIBUTION LABEL

2X VELCRO STRAP TO
SECURE SPLICE TRAYS



NOTES:
1. ENCLOSURE SHOWN ON THIS SHEET WITH OPTIONAL WALL MOUNT KIT IS NEMA TYPE 4X COMPLIANT.

UNLESS OTHERWISE SPECIFIED
DIMENSIONS ARE IN INCHES
TOLERANCES ARE:
FRACTIONS: DECIMALS: ANGLES:
±1/32 .XX=±.03 ±1°
.XXX=±.010
ALL FLATS TO BE ±.005
**NO SHARP EDGES OR
BURRS ALLOWED**
MATERIAL:
SEE BOM
FINISH:
SANDSTONE
DO NOT SCALE DRAWING

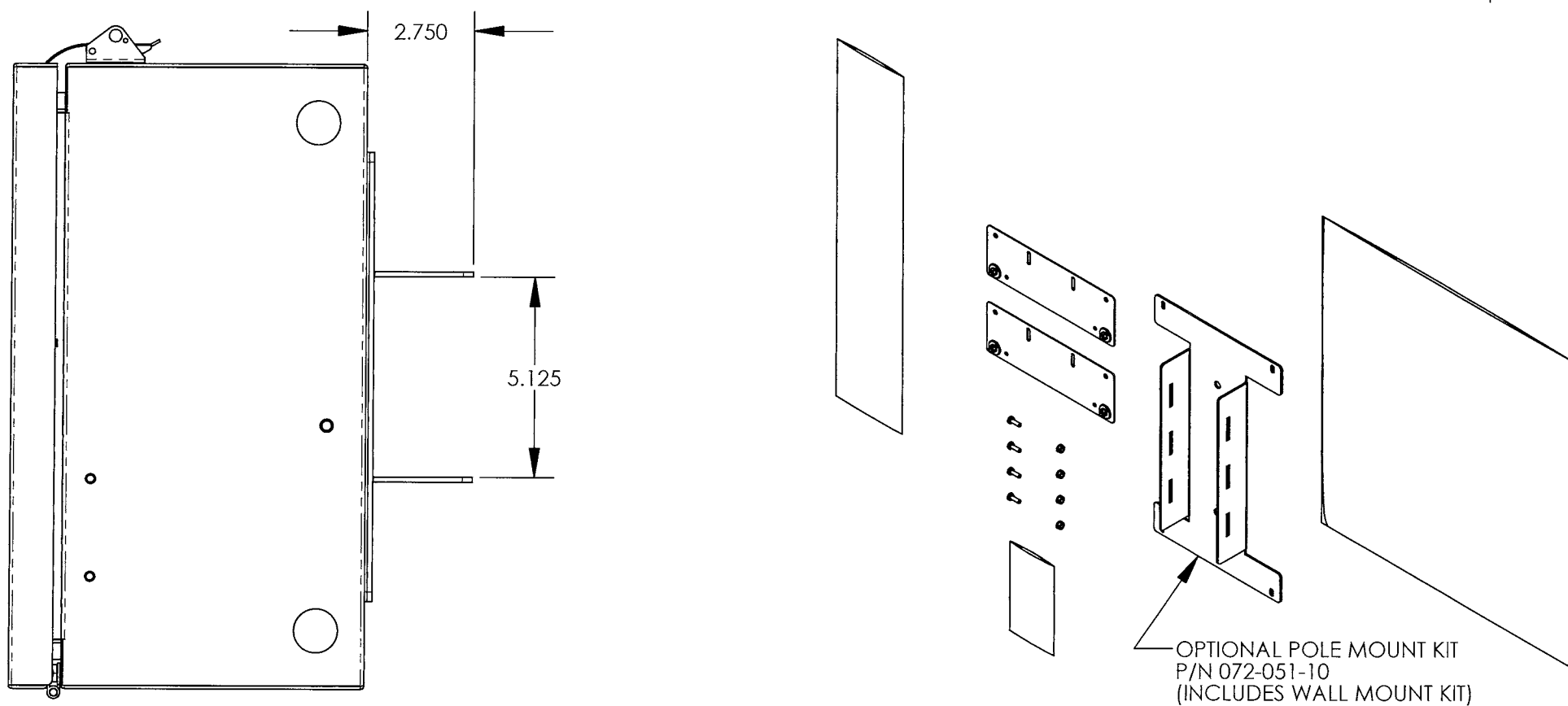
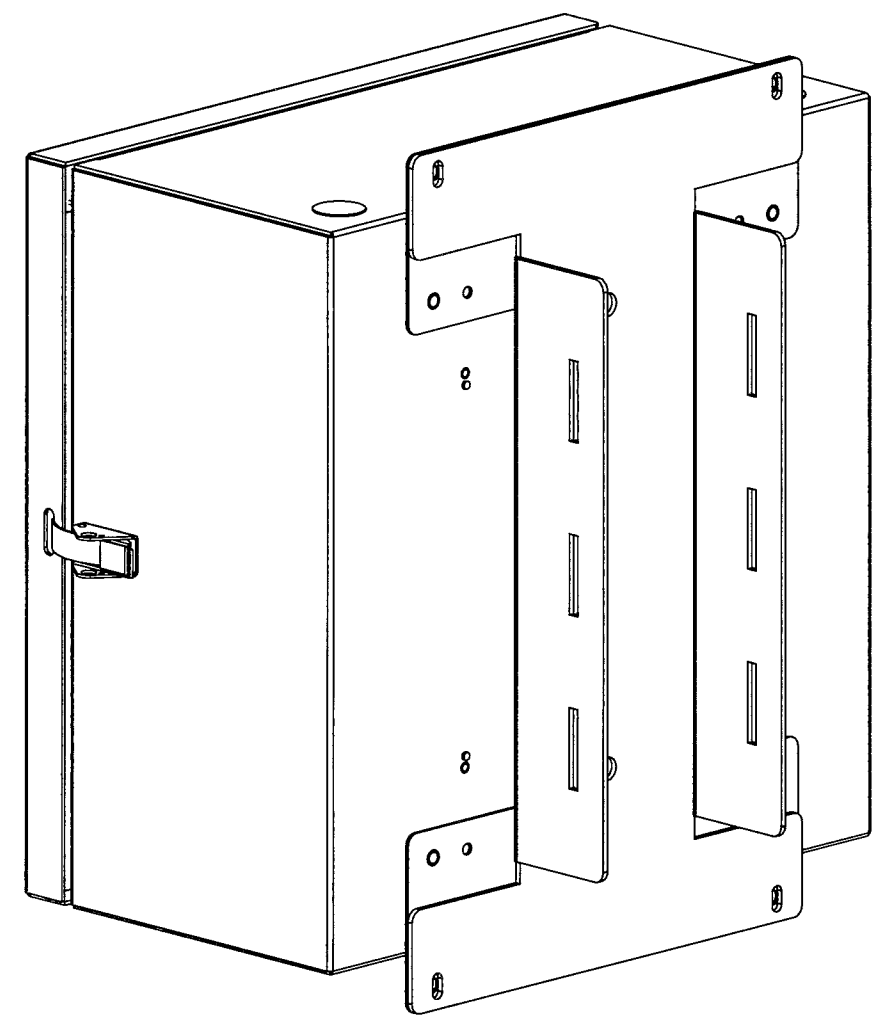
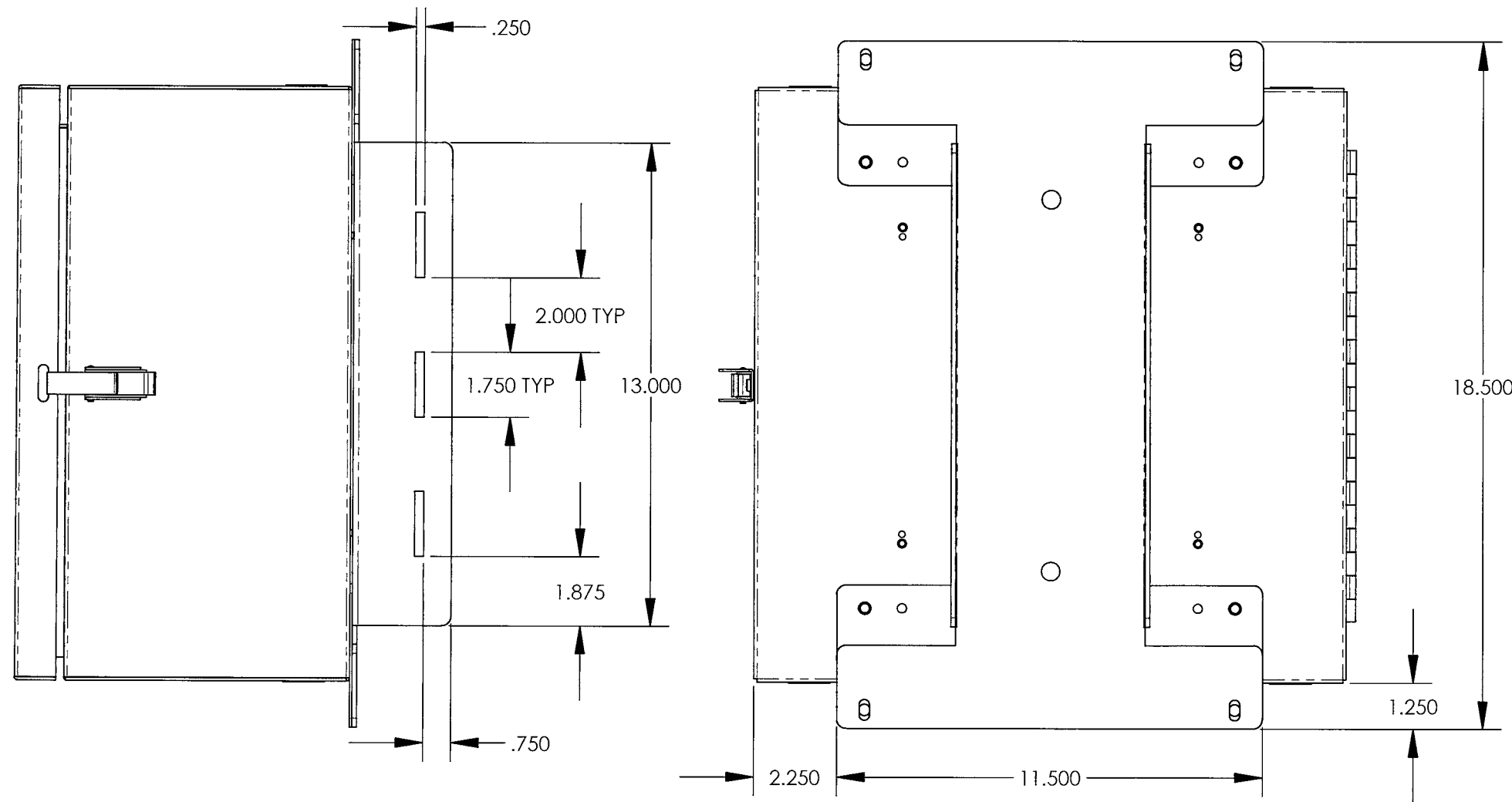
THIS DOCUMENT AND THE INFORMATION
CONTAINED THEREIN ARE CONFIDENTIAL
& PROPRIETARY TO MULTILINK AND MAY NOT
BE COPIED OR DISCLOSED TO OTHERS
WITHOUT A WRITTEN CONSENT FROM
MULTILINK. THE INFORMATION IS TO BE
PROMPTLY RETURNED TO MULTILINK UPON
REQUEST.
DRAWN BY: L.P.K. DATE: 05/02/2007
CHECKED: DATE:
MFG ENG: DATE:
QUALITY ENG: DATE:

Multilink

FWM-4X-N4D-BE

SIZE **B** DWG. NO. 045-080-10REF REV. 06
SCALE: 1:4 CAD FILE: 045-080-10REF SHEET: 2 OF 3

REV.	ECN #	DESCRIPTION OF CHANGE	DATE	BY	MFG ENG
03	2477	REDESIGNED ASSEMBLY	10/04/11	SAB	
04	2767	UPDATE PACKING	08/29/12	SAB	
05	2815	MISC HARDWARE UPDATE	10/17/12	TT	
06	3190	ADD INSTALLATION PROCEDURE	10/25/13	SAB	



OPTIONAL POLE MOUNT KIT
P/N 072-051-10
(INCLUDES WALL MOUNT KIT)

NOTES:
1. ENCLOSURE SHOWN ON THIS SHEET WITH OPTIONAL POLE MOUNT KIT IS NEMA TYPE 4X COMPLIANT.

UNLESS OTHERWISE SPECIFIED DIMENSIONS ARE IN INCHES TOLERANCES ARE: FRACTIONS: ±1/32 DECIMALS: .XX=±.03 .XXX=±.010 ANGLES: ±1° ALL FLATS TO BE ±.005		THIS DOCUMENT AND THE INFORMATION CONTAINED THEREIN ARE CONFIDENTIAL & PROPRIETARY TO MULTILINK AND MAY NOT BE COPIED OR DISCLOSED TO OTHERS WITHOUT A WRITTEN CONSENT FROM MULTILINK. THE INFORMATION IS TO BE PROMPTLY RETURNED TO MULTILINK UPON REQUEST.			
NO SHARP EDGES OR BURRS ALLOWED		DRAWN BY: L.P.K. DATE: 05/02/2007			
MATERIAL: SEE BOM		CHECKED: DATE:		FWM-4X-N4D-BE	
FINISH: SANDSTONE		MFG ENG: DATE:		SIZE B DWG. NO. 045-080-10REF REV. 06	
DO NOT SCALE DRAWING		QUALITY ENG: DATE:		SCALE: 1:4 CAD FILE: 045-080-10REF SHEET: 3 OF 3	