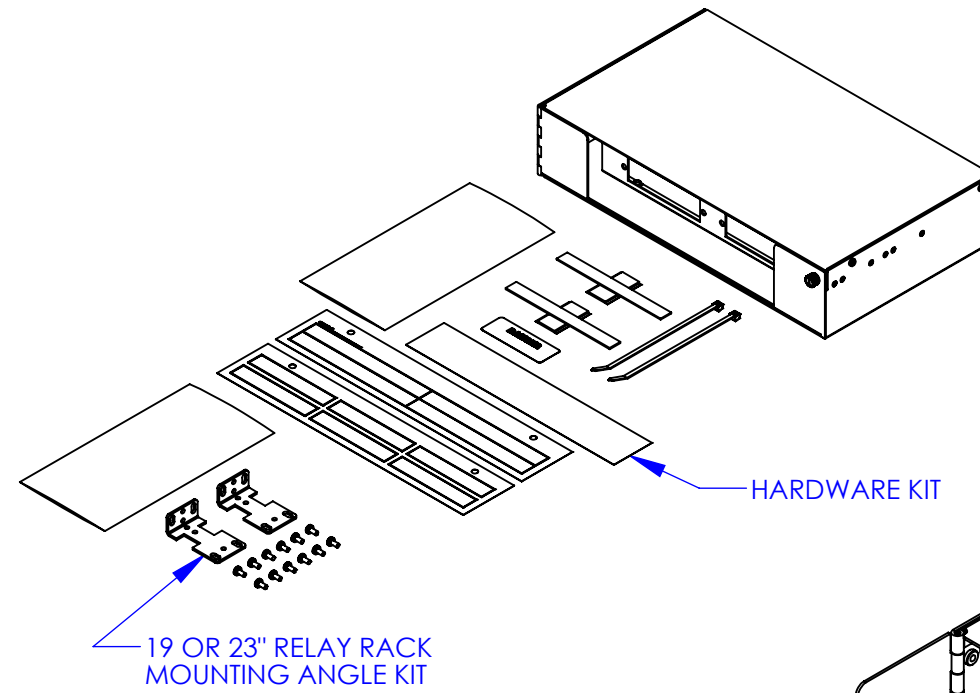
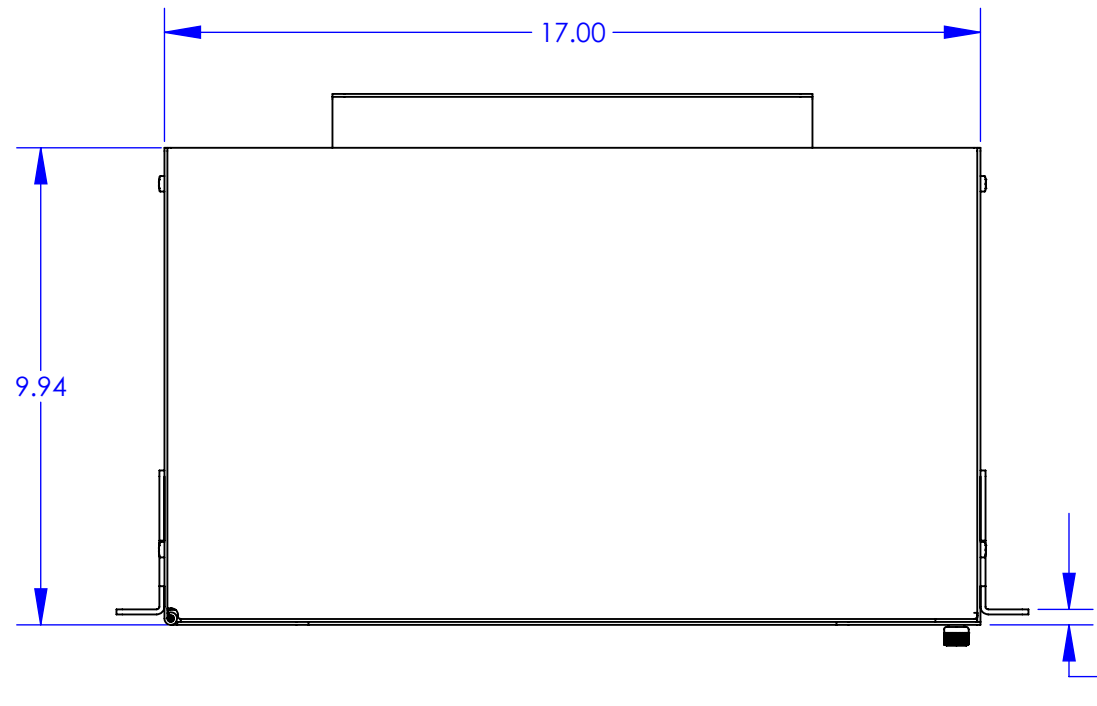


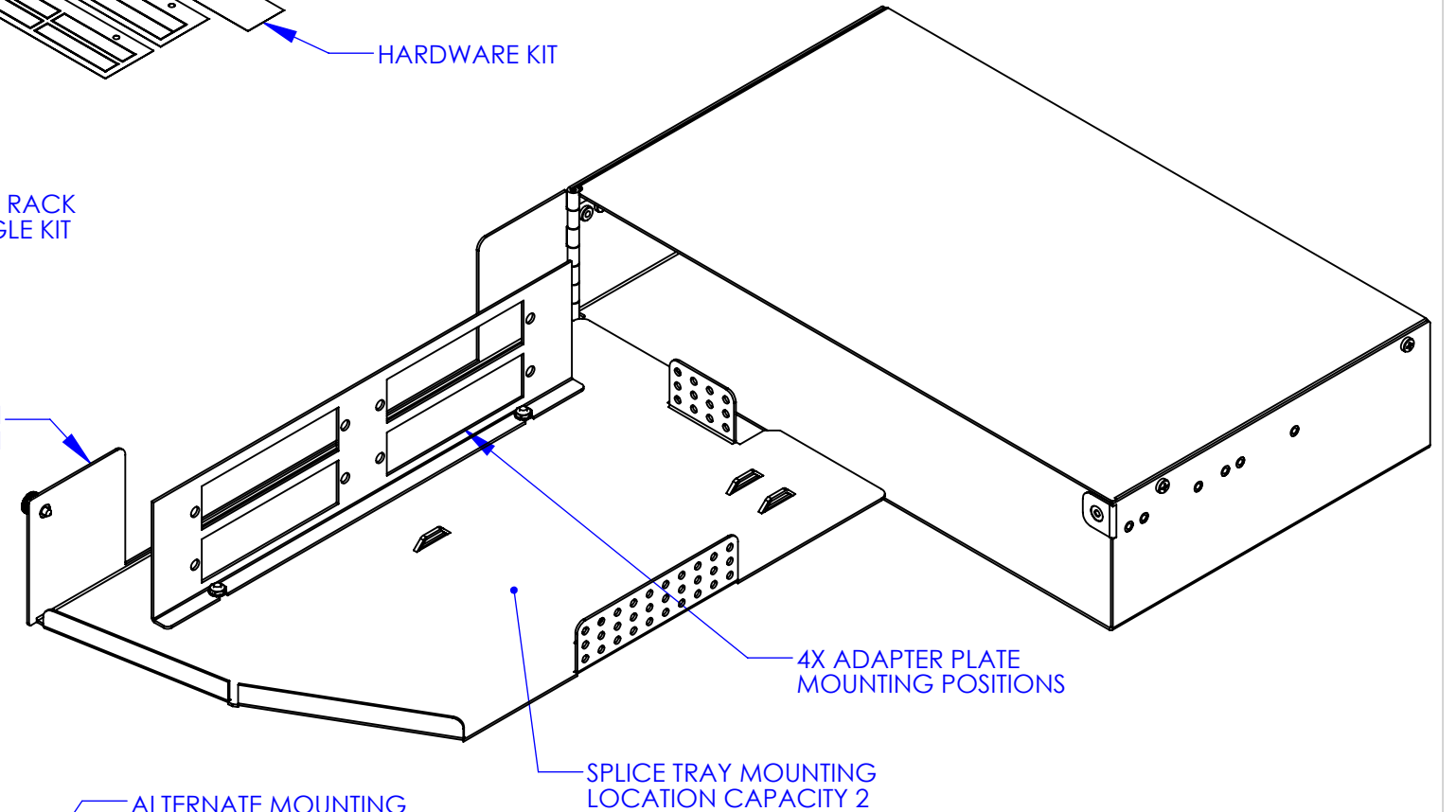
REV.	ECN #	DESCRIPTION OF CHANGE	DATE	BY	MFG ENG
03	N/A	INITIAL RELEASE	04/18/11	SAB	
03	N/A	CREATE NEW REF DRAWING	11/03/15	SAB	



SWING OUT TRAY IN EXTENDED POSITION

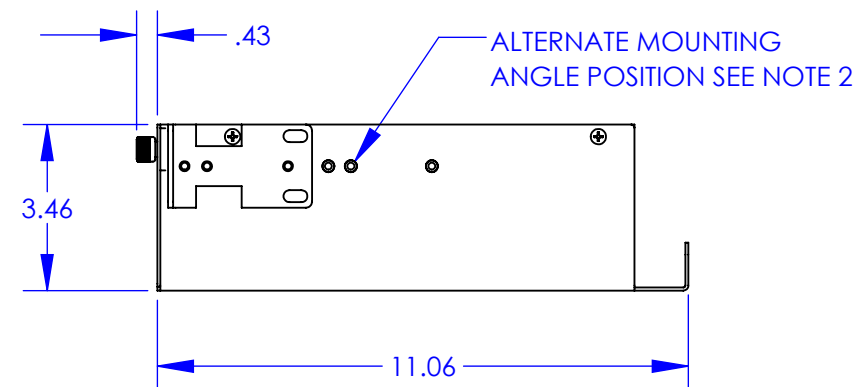
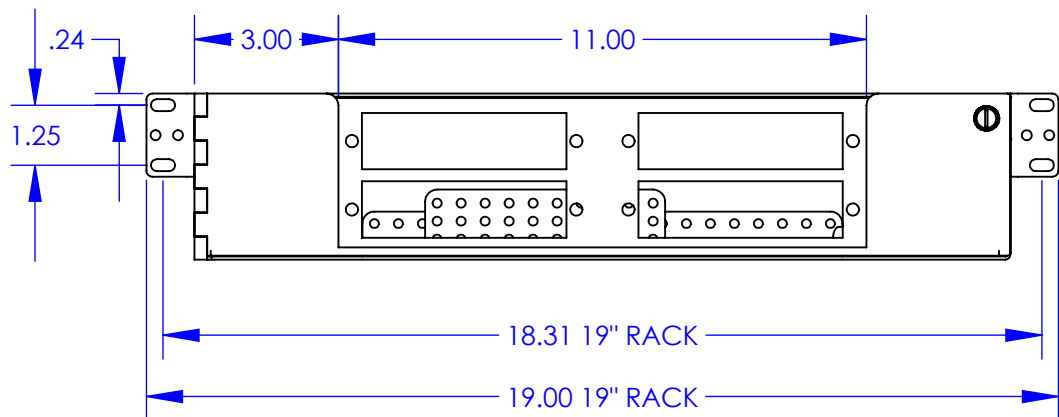
19 OR 23" RELAY RACK MOUNTING ANGLE KIT

HARDWARE KIT



4X ADAPTER PLATE MOUNTING POSITIONS

SPLICE TRAY MOUNTING LOCATION CAPACITY 2



ALTERNATE MOUNTING ANGLE POSITION SEE NOTE 2

- NOTES:
1. MOUNTING ANGLES ARE CONFIGURABLE FOR 19 OR 23 INCH RACK, 19 INCH SHOWN.
 2. MOUNTING ANGLES HAVE TWO POSITIONS, FORWARD MOST SHOWN.

UNLESS OTHERWISE SPECIFIED DIMENSIONS ARE IN INCHES TOLERANCES ARE: FRACTIONS: ±1/32 DECIMALS: .XX=±.03 ANGLES: ±1° .XXX=±.010 ALL FLATS TO BE ±.005		THIS DOCUMENT AND THE INFORMATION CONTAINED HEREIN ARE CONFIDENTIAL & PROPRIETARY TO MULTILINK AND MAY NOT BE COPIED OR DISCLOSED TO OTHERS WITHOUT A WRITTEN CONSENT FROM MULTILINK. THE INFORMATION IS TO BE PROMPTLY RETURNED TO MULTILINK UPON REQUEST.			
NO SHARP EDGES OR BURRS ALLOWED		DRAWN BY: DM DATE: 02/25/2004			
MATERIAL: SEE B.O.M.		CHECKED: DATE:		FRM-2RU-4X-SO BK	
FINISH: BLACK TEXTURED		MFG ENG: DATE:			
DO NOT SCALE DRAWING		QUALITY ENG: DATE:		SIZE B DWG. NO. 10-4327REF REV. 03 SCALE: 1:4 CAD FILE: 10-4327REF SHEET: 1 OF 1	