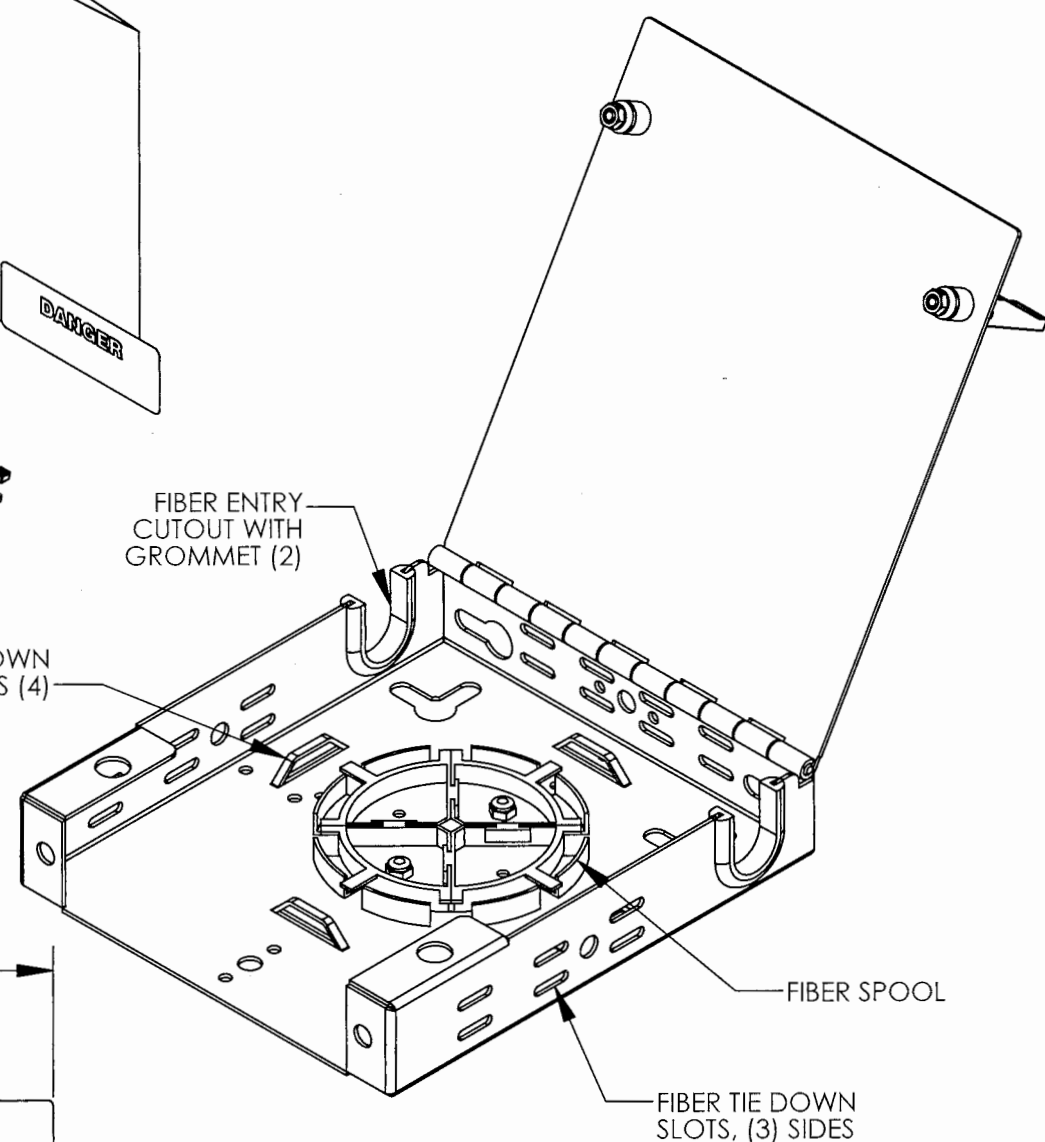
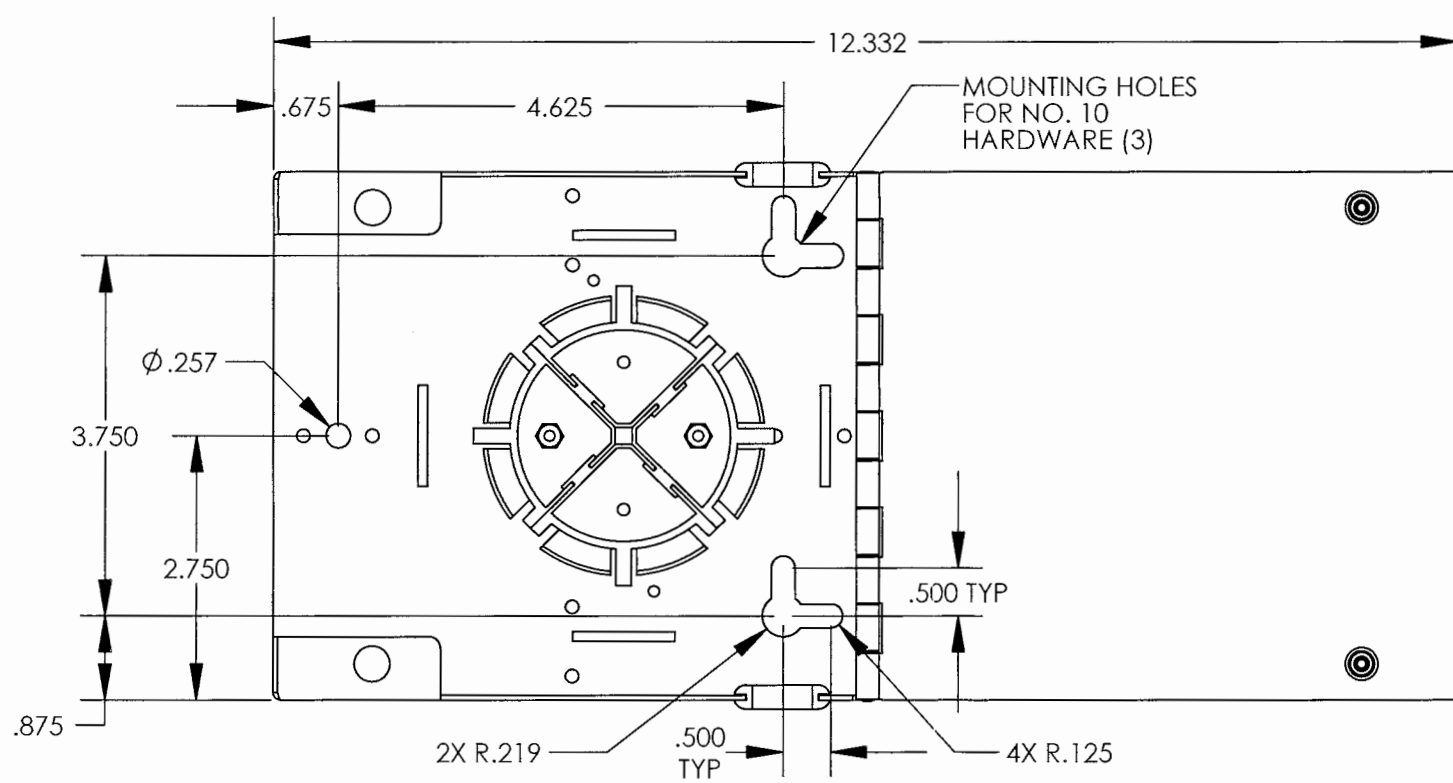
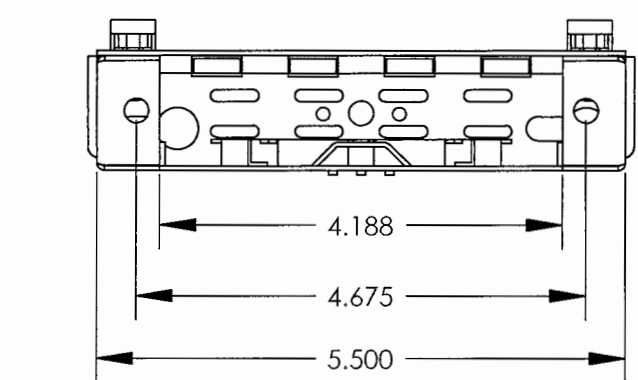
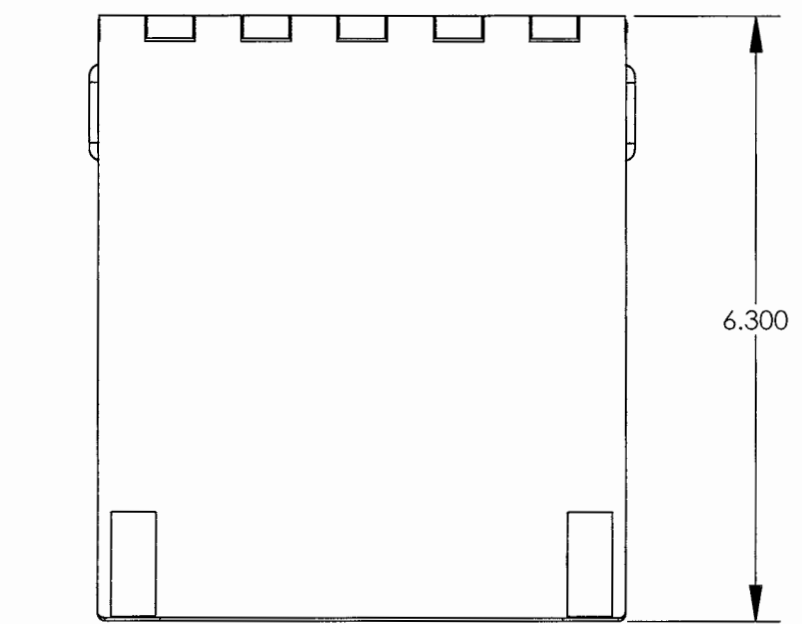
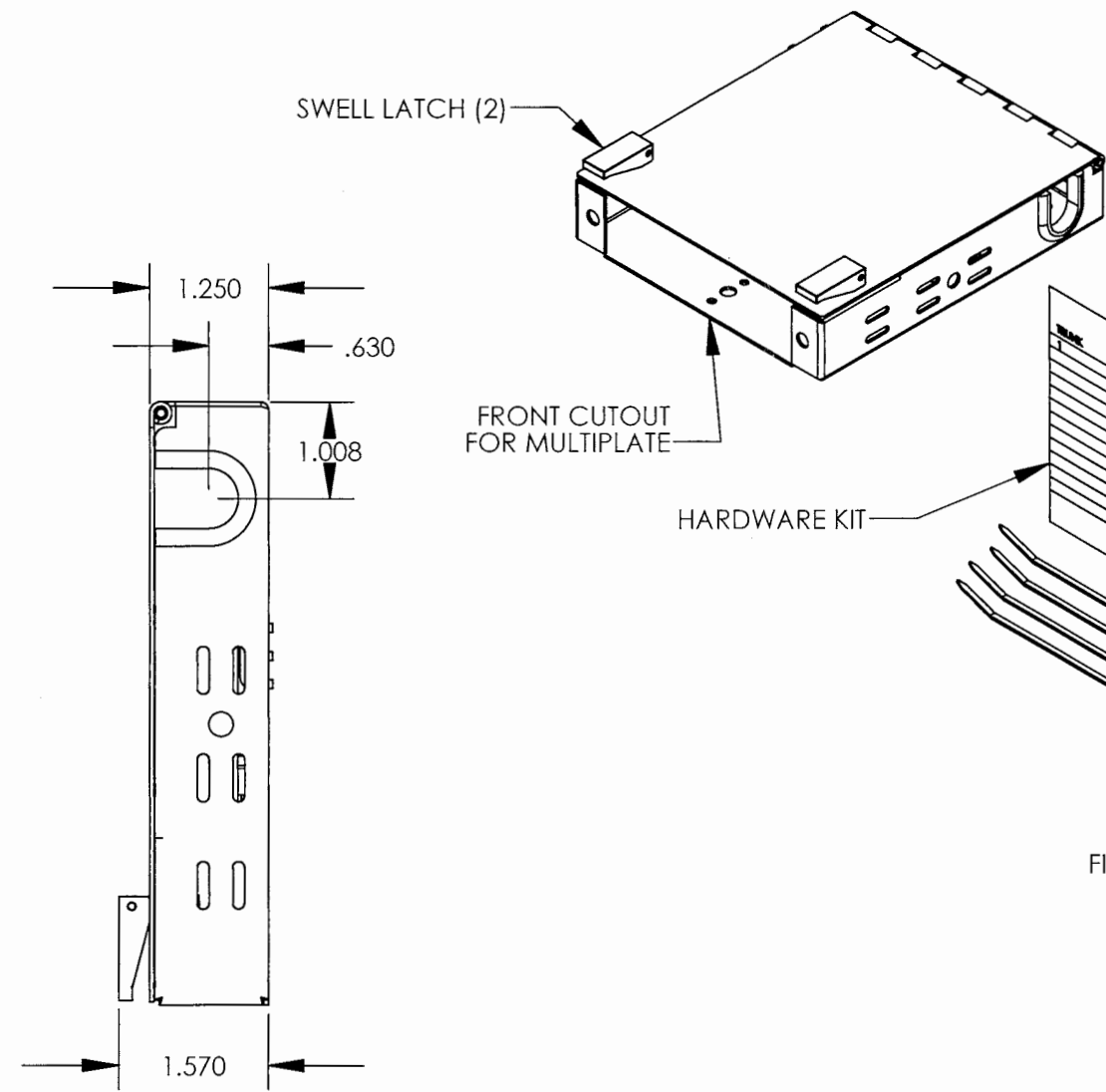
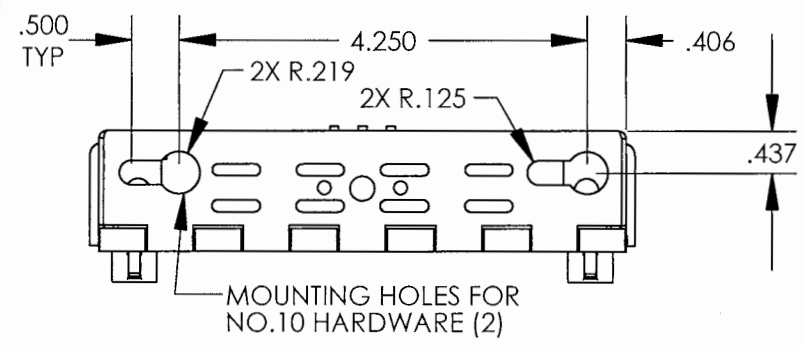


REV.	ECN #	DESCRIPTION OF CHANGE	DATE	BY	MFG ENG
01	N/A	INITIAL RELEASE	10/20/08	SAB	
02	2636	UPDATE BASE	05/02/12	SAB	
03	2983	UPD BASE, ADD CARTON, INSERT	03/12/13	SAB	



NOTES:
1. ALSO AVAILABLE IN OFF WHITE, P/N 045-164-11.

Purchase @ **LANshack.com** Contact Sales at 888-568-1230 or Email us at Sales@LANshack.com

UNLESS OTHERWISE SPECIFIED DIMENSIONS ARE IN INCHES TOLERANCES ARE:
FRACTIONS: ±1/32 DECIMALS: .XX=±.03 .XXX=±.010 ANGLES: ±1°
ALL FLATS TO BE ±.005
NO SHARP EDGES OR BURRS ALLOWED

THIS DOCUMENT AND THE INFORMATION CONTAINED THEREIN ARE CONFIDENTIAL & PROPRIETARY TO MULTILINK AND MAY NOT BE COPIED OR DISCLOSED TO OTHERS WITHOUT A WRITTEN CONSENT FROM MULTILINK. THE INFORMATION IS TO BE PROMPTLY RETURNED TO MULTILINK UPON REQUEST.
DRAWN BY: SAB DATE: 06/04/2008
CHECKED BY: DATE:
MFG ENG: DATE:
QUALITY ENG: DATE:
DO NOT SCALE DRAWING

Multilink

FWM-1X-BK W/ SPOOL

SIZE: **B** DWG. NO. 045-164-10REF REV. 03
SCALE: 1/2 CAD FILE: 045-164-10REF SHEET: 1 OF 1