



## FWM-4X-D

Adapter Panels Sold Separately

### Product Description

The Multilink FWM-4X-D is a compact wall mount fiber distribution unit designed to support patching and splicing in one unit. The unit has 4 adapter panel positions allowing for a wide variety of fiber termination connector types and is equipped with a double door maintaining separation and security for the Network and Distribution sides of the termination panels. The FWM-4X-D is a member of a larger family of Fiber Distribution Units.

### General Specifications

<b>Dimensions:</b>	10.8" H x 12.3" W x 4" D
<b>Box Weight:</b>	10 lbs.
<b>Panels:</b>	(4) Multilink Adapter Panels
<b>Splice Trays:</b>	(4) 1120-SSTP (12 single splices per tray)
<b>Material:</b>	Powder coated steel
<b>Color:</b>	Black or Off White

### Ordering Information

<u>Stock ID</u>	<u>Description</u>
99024BK	FWM-4X-D Black
99024K	FWM-4X-D Off White
072-059-10	1120-SSTP Splice Tray Kit

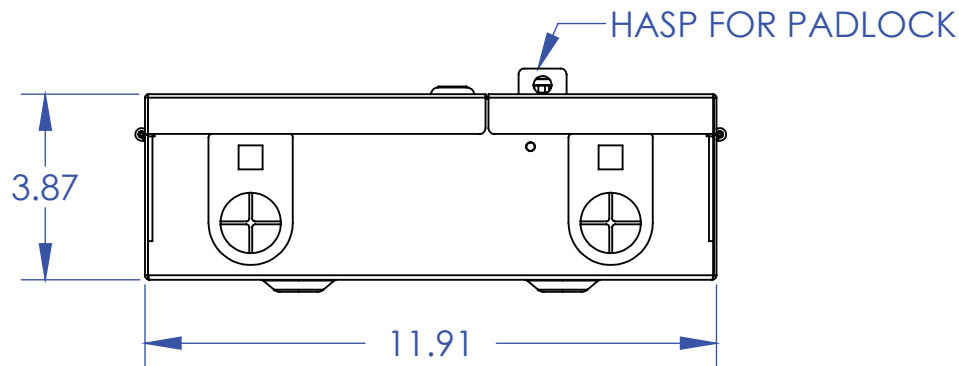
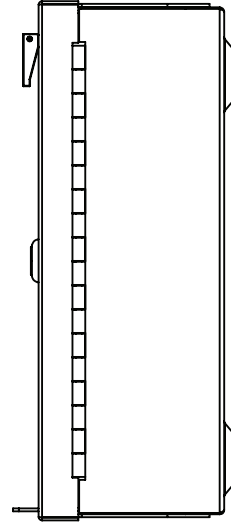
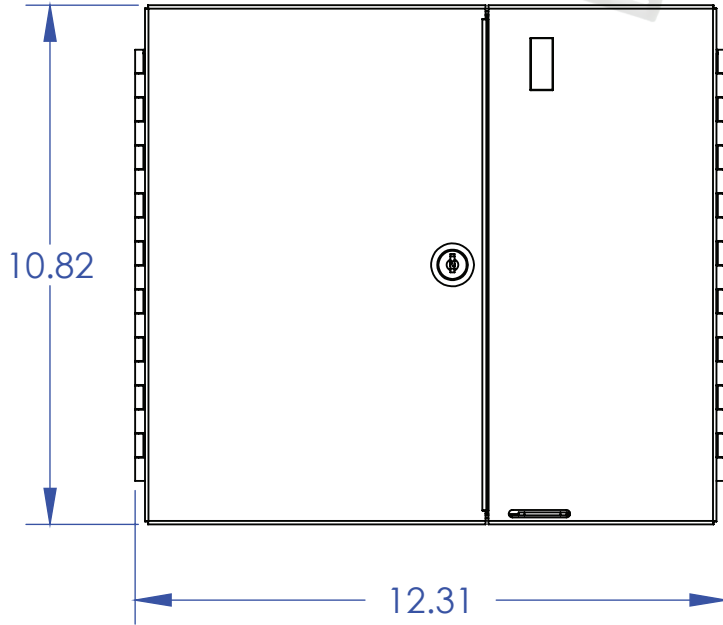
NOTE: For details on available adapter panels or alternate patch & splice solutions please visit [GoMultilink.com](http://GoMultilink.com)

FWM-4X-D

**Multilink**<sup>®</sup>  
Innovation At Work

FWM-4X-D

Adapter Panels Sold Separately



CONTACT  
SALES@LANSHACK.COM  
888-568-1230