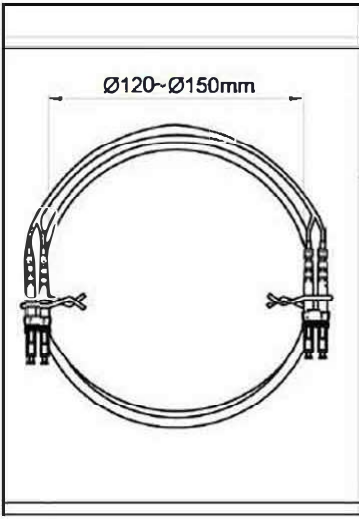
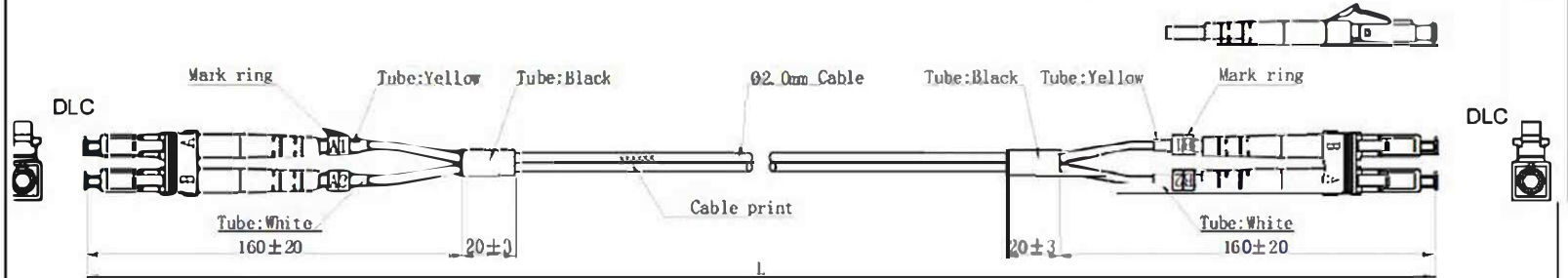


NOTE: ALL MATERIAL COMPLIANT ROHS STANDARD

REVISION INFORMATION			
Rev.	Rev. Date	Modified By	Brief Description



Specifications:

Type	DLC/UPC-DLC/UPC
Fiber Mode	OM4
Core Diameter(um)	50/125
Operating Wavelength(nm)	850/1300
Cable Color	Aqua
Cable Diameter(mm)	Ø2.0
Operating Temperature(°C)	-25~+70
Storage Temperature(°C)	-25~+70
Insertion loss(dB)	≤0.3
Return loss(dB)	≥35

L≤10m, TOLERANCES:0≤ΔL≤10cm
 L>10m, TOLERANCES:0≤ΔL≤1%*L

Remarks: Part Number Prefix SFPC-

Length	ITEM NO.	Length	ITEM NO.
L=1M	OM4-01	L=20M	OM4-20
L=1.5M	OM4-1.5		
L=2M	OM4-02		
L=3M	OM4-03		
L=4M	OM4-04		
L=5M	OM4-05		
L=6M	OM4-06		
L=7M	OM4-07		
L=8M	OM4-08		
L=9M	OM4-09		
L=10M	OM4-10		
L=12M	OM4-12		
L=15M	OM4-15		

LANSHACK Purchase @ Contact Sales at 888 668 1230
 Email us at Sales@LANshack.com

NO.	PART NAME	SPECIFICATION DESCRIPTION	QTY	UNIT

Unless specified on the drawing, tolerances are per the follows:
 ± .1
 .02
 .05

DRAWN BY	DATE: 2018/03/12	DESCRIPTION: LC-LC-DX OM4 Patchcord
CHECKED BY	SHEET 1 of 2	ITEM NO. SFPC-OM 4-AQ-LCLC
APPROVED BY	SCALE 1:1	REV. 00 UNIT mm