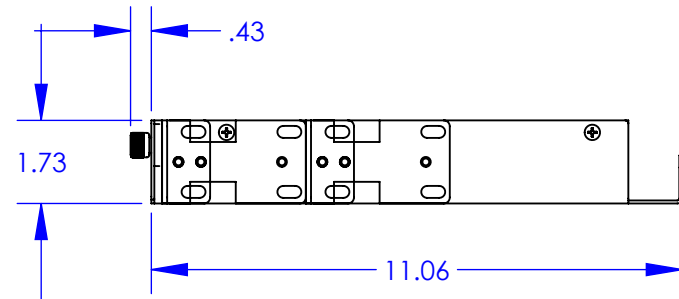
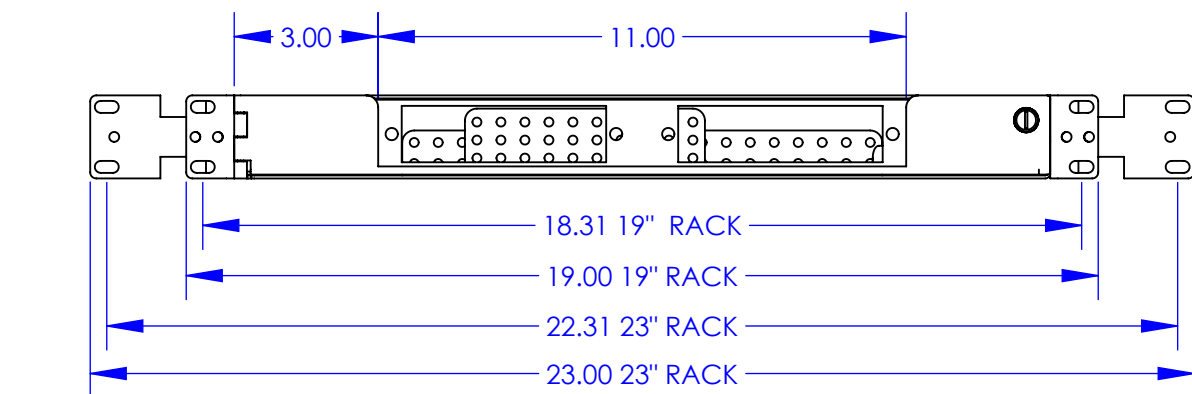
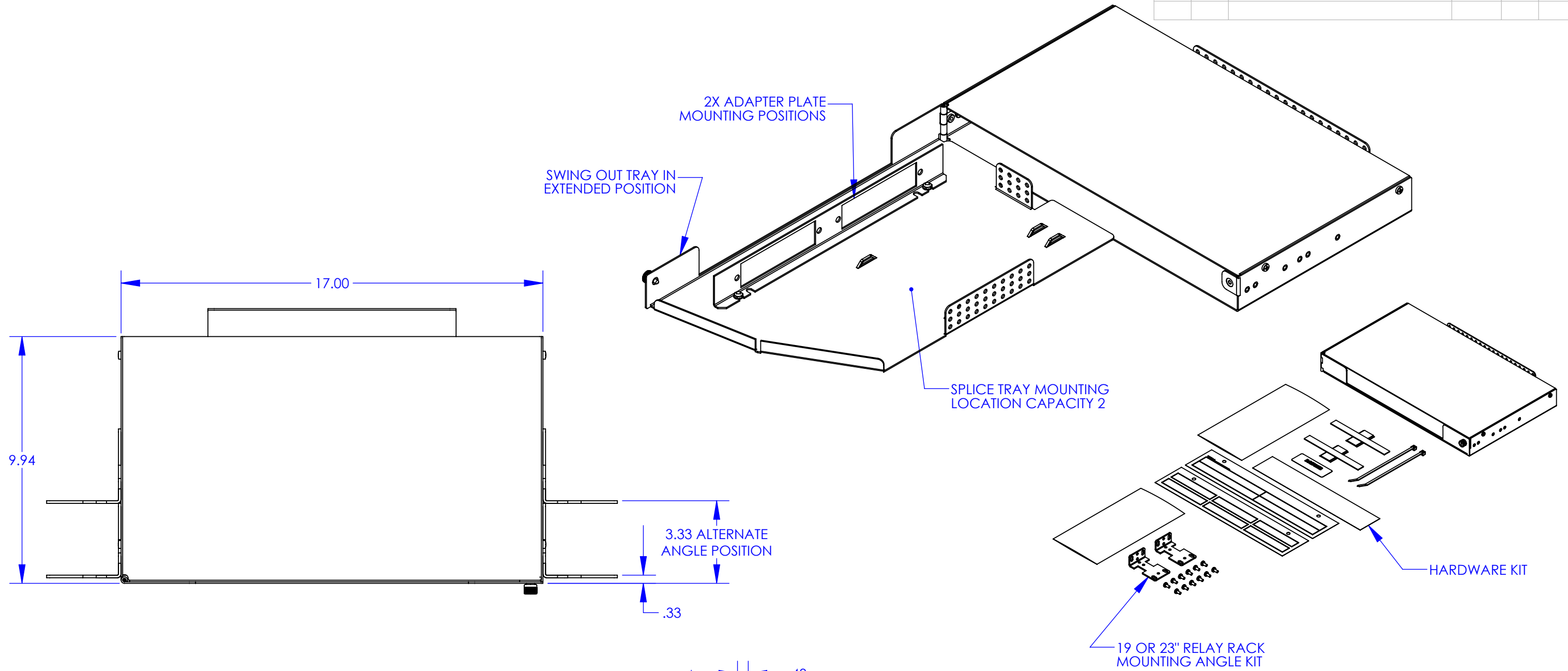


REV.	ECN #	DESCRIPTION OF CHANGE	DATE	BY	MFG ENG
03	N/A	INITIAL RELEASE	04/18/11	SAB	
04	N/A	UPDATE REVISION	10/21/13	SAB	



UNLESS OTHERWISE SPECIFIED
DIMENSIONS ARE IN INCHES
TOLERANCES ARE:
FRACTIONS: ±1/32 DECIMALS: .XX=±.03 .XXX=±.010 ANGLES: ±1°
ALL FLATS TO BE ±.005
**NO SHARP EDGES OR
BURRS ALLOWED**
MATERIAL: SEE B.O.M.
FINISH: BLACK TEXTURED
DO NOT SCALE DRAWING

THIS DOCUMENT AND THE INFORMATION
CONTAINED THEREIN ARE CONFIDENTIAL
& PROPRIETARY TO MULTILINK AND MAY NOT
BE COPIED OR DISCLOSED TO OTHERS
WITHOUT A WRITTEN CONSENT FROM
MULTILINK. THE INFORMATION IS TO BE
PROMPTLY RETURNED TO MULTILINK UPON
REQUEST.
DRAWN BY: DM DATE: 02/24/2004
CHECKED: DATE:
MFG ENG: DATE:
QUALITY ENG: DATE:

Multilink

FRM-1RU-2X-SO BK

SIZE **B** DWG. NO. 10-4323 REF REV. 04
SCALE: 1:4 CAD FILE: 10-4323 REF SHEET: 1 OF 1