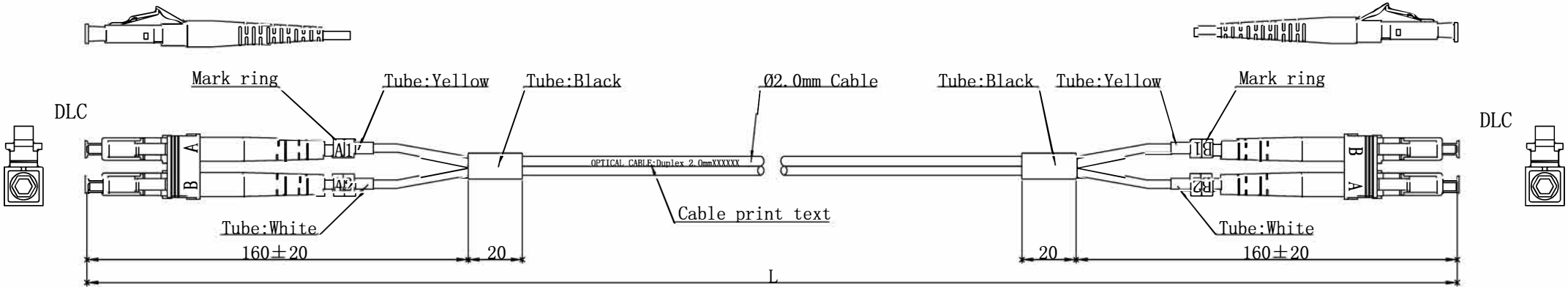


NOTE:ALL MATERIAL COMPLIANT ROHS STANDARD

REVISION INFORMATION

Rev.	Rev. Date	Modified By	Brief Description



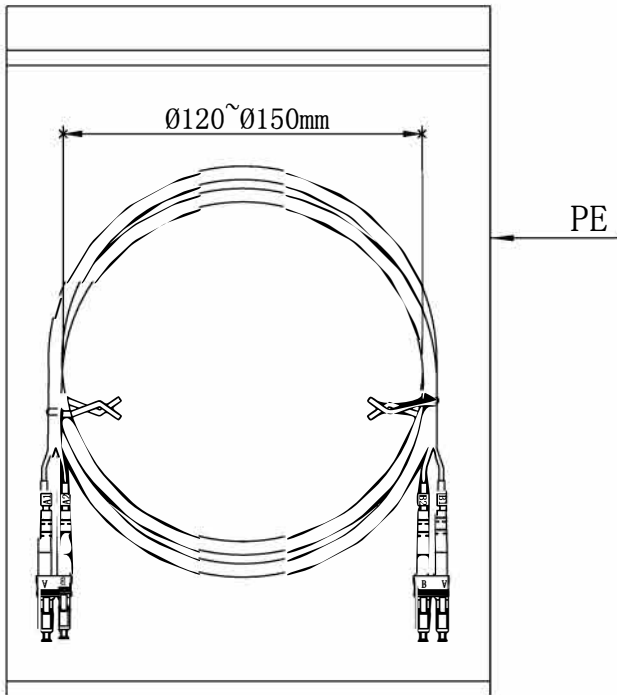
Specifications:

Type	DLC/UPC-DLC/UPC
Fiber Mode	OM1
Core Diameter(um)	62.5/125
Operating Wavelength(nm)	850/1300
Cable Color	Orange
Cable Diameter(mm)	Ø2.0
Operating Temperature(° C)	-40~+75
Storage Temperature(° C)	-40~+85
Insertion loss(dB)	≤0.2dB
Return loss(dB)	≥35dB

$L \leq 5m$ , TOLERANCES:  $0 \leq \Delta L \leq 5cm$   
 $L > 5m$ , TOLERANCES:  $0 \leq \Delta L \leq 1\% * L$

Remarks:

Length	Item #
0.3M	LCLC0.3
1M	LCLC1
1.5M	LCLC1.5
2M	LCLC2
3M	LCLC3
4M	LCLC4
5M	LCLC5
6M	LCLC6
7M	LCLC7
8M	LCLC8
9M	LCLC9
10M	LCLC10
12M	LCLC12
15M	LCLC15
20M	LCLC20
25M	LCLC25
30M	LCLC30
35M	LCLC35
40M	LCLC40
50M	LCLC50



Purchase @ **LANshack**.com Contact Sales at 888-568-1230 or Email us at Sales@LANshack.com

NO.	PART NAME	SPECIFICATION DESCRIPTION	QTY	UNIT
①				
②				
③				

Unless specified on the drawing, tolerances are per the follows:

.x	+1
.xx	+0.2
.xxx	+0.05

DRAWN BY	DATE: 2015/05/14	DESCRIPTION: LC-LC-DX OM1 Patchcord
CHECKED BY	SHEET 1of1	ITEM NO.
APPROVED BY	SCALE 1:1	REV. 00 UNIT:mm