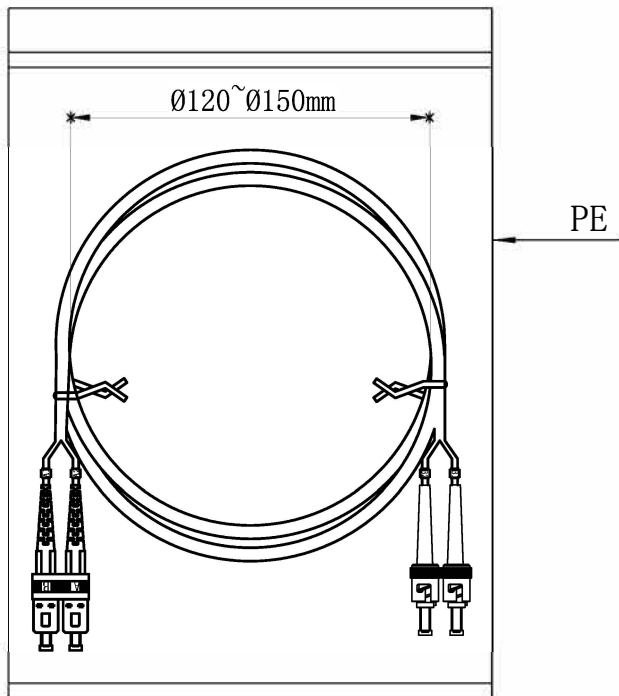
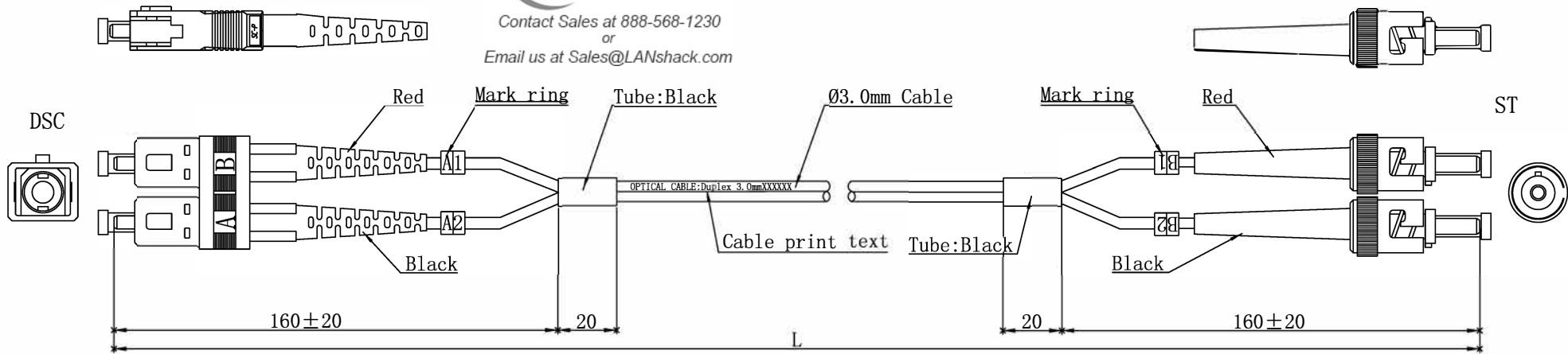


NOTE: ALL MATERIAL COMPLIANT ROHS STANDARD



Purchase @  
 Contact Sales at 888-568-1230  
 or  
 Email us at Sales@LANshack.com

REVISION INFORMATION			
Rev.	Rev. Date	Modified By	Brief Description



Specifications:

Type	DSC/UPC-ST/UPC
Fiber Mode	SM
Core Diameter(um)	9/125
Operating Wavelength(nm)	1310/1550
Cable Color	Yellow
Cable Diameter (mm)	Ø3.0
Operating Temperature(° C)	-40~+75
Storage Temperature(° C)	-40~+85
SC Connector Color(Boot)	Red/Blcak
ST Connector Color(Boot)	Red/Blcak
Insertion loss (dB)	≤0.3dB
Return loss (dB)	≥50dB

L ≤ 5m, TOLERANCES: 0 ≤ ΔL ≤ 5cm
L > 5m, TOLERANCES: 0 ≤ ΔL ≤ 1%*L

Remarks:

Length	Item #
1m	STSC-01
2m	STSC-02
3m	STSC-03
5m	STSC-05
10m	STSC-10

LANshack.com Stock Fiber Optic Patch Cables

NO.	PART NAME	SPECIFICATION DESCRIPTION	QTY	UNIT
①				
②				
③				

Unless specified on the drawing, tolerances are per the follows:

.x	+1
.xx	+0.2
.xxx	+0.05

DRAWN BY	DATE: 2015/05/14	DESCRIPTION: SC-ST-DX SM Patchcord
CHECKED BY	SHEET 1of1	ITEM NO.
APPROVED BY	SCALE 1:1	REV. 00
		UNIT:mm