

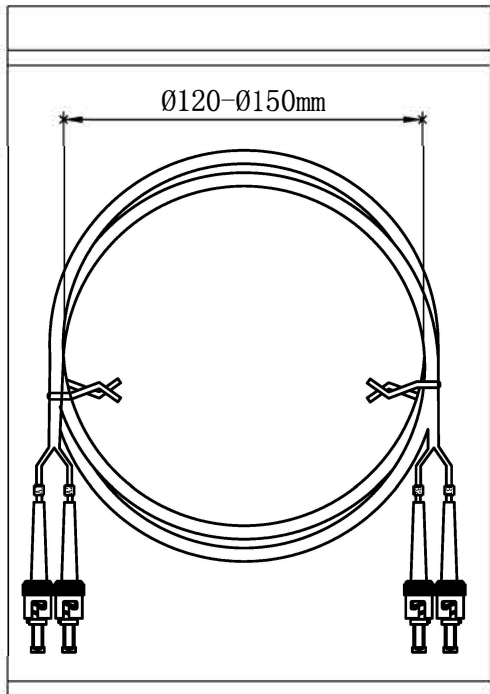
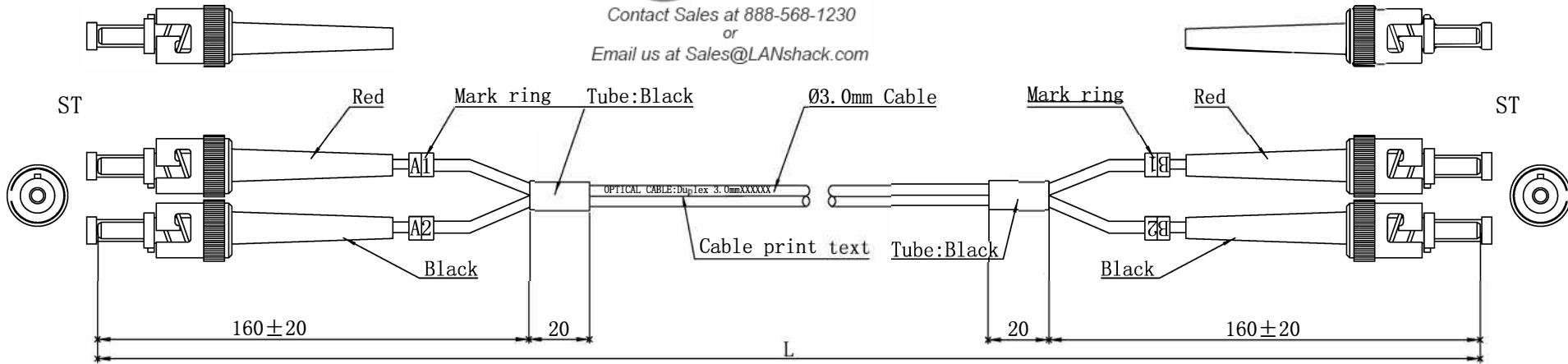
NOTE: ALL MATERIAL COMPLIANT ROHS STANDARD



Contact Sales at 888-568-1230
or
Email us at Sales@LANshack.com

REVISION INFORMATION

Rev.	Rev. Date	Modified By	Brief Description



Specifications:

Type	ST/UPC-ST/UPC
Fiber Mode	SM
Core Diameter(um)	9/125
Operating Wavelength(nm)	1310/1550
Cable Color	Yellow
Cable Diameter (mm)	Ø3.0
Operating Temperature(° C)	-40~+75
Storage Temperature(° C)	-40~+85
ST Connector Color (Boot)	Red/Black
Insertion loss(dB)	≤0.3dB
Return loss(dB)	≥50dB

L ≤ 5m, TOLERANCES: 0 ≤ ΔL ≤ 5cm
L > 5m, TOLERANCES: 0 ≤ ΔL ≤ 1%*L

Remarks:

Length	ITEM NO.
L=1M	SM-STST-01
L=2M	M-STST-02
L=3M	M-STST-03
L=7M	SM-STST-04

LANshack.com Stock Fiber Optic Patch Cables

NO.	PART NAME	SPECIFICATION DESCRIPTION	QTY	UNIT
①				
②				
③				

Unless specified on the drawing, tolerances are per the follows:

.x	+1
.xx	+0.2
.xxx	+0.05

DRAWN BY	DATE: 2015/05/14	DESCRIPTION: ST-ST-DX SM Patchcord
CHECKED BY	SHEET 1 of 1	ITEM NO.
APPROVED BY	SCALE 1:1	REV. 00
		UNIT: mm

