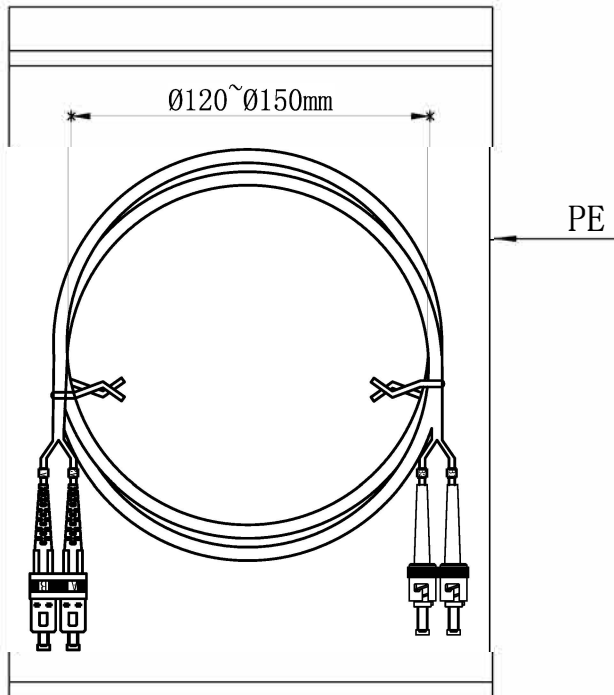
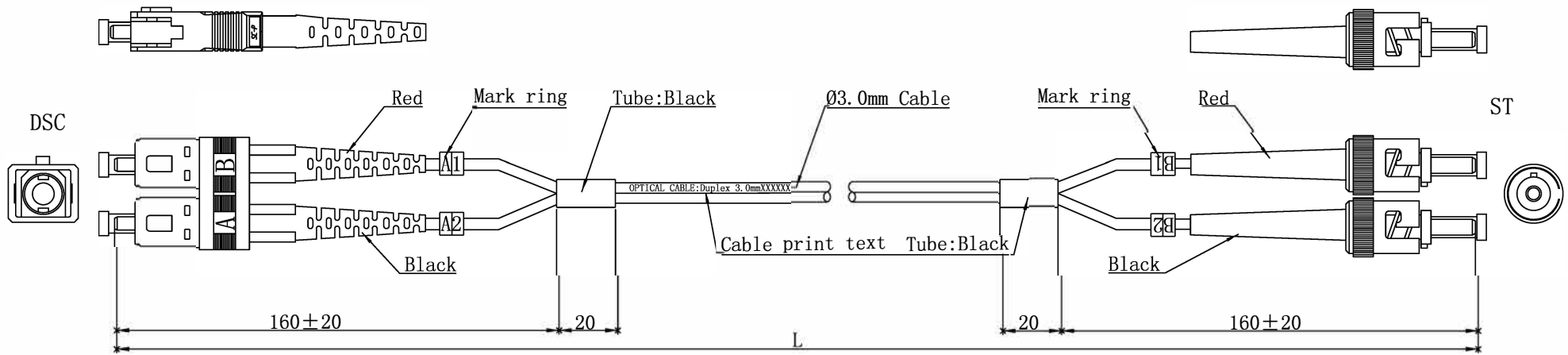


NOTE: ALL MATERIAL COMPLIANT ROHS STANDARD

REVISION INFORMATION

Rev.	Rev. Date	Modified By	Brief Description



Specifications:

Type	DSC/UPC-ST/UPC
Fiber Mode	OM1
Core Diameter (um)	62.5/125
Operating Wavelength (nm)	850/1300
Cable Color	Orange
Cable Diameter (mm)	Ø3.0
Operating Temperature (° C)	-40~+75
Storage Temperature (° C)	-40~+85
Insertion loss (dB)	≤0.2dB
Return loss (dB)	≥35dB
SC Connector Color (Boot)	Red/Blcak
ST Connector Color (Boot)	Red/Blcak

$L \leq 5m$, TOLERANCES: $0 \leq \Delta L \leq 5cm$
$L > 5m$, TOLERANCES: $0 \leq \Delta L \leq 1\% * L$

Remarks:

Length	Item #
0.3M	STSC0.3
1M	STSC01
2M	STSC02
3M	STSC03
5M	STSC05
7M	STSC07
10M	STSC10
15M	STSC15

Purchase @ **LANshack**.com Contact Sales at 888-568-1230
or
Email us at Sales@LANshack.com

NO.	PART NAME	SPECIFICATION DESCRIPTION	QTY	UNIT
①				
②				
③				

Unless specified on the drawing, tolerances are per the follows:

.x	+1
.xx	+0.2
.xxx	+0.05

DRAWN BY	DATE: 2015/05/14	DESCRIPTION: SC-ST-DX OM1 Patchcord
CHECKED BY	SHEET 1of1	ITEM NO.
APPROVED BY	SCALE 1:1	REV. 00 UNIT:mm