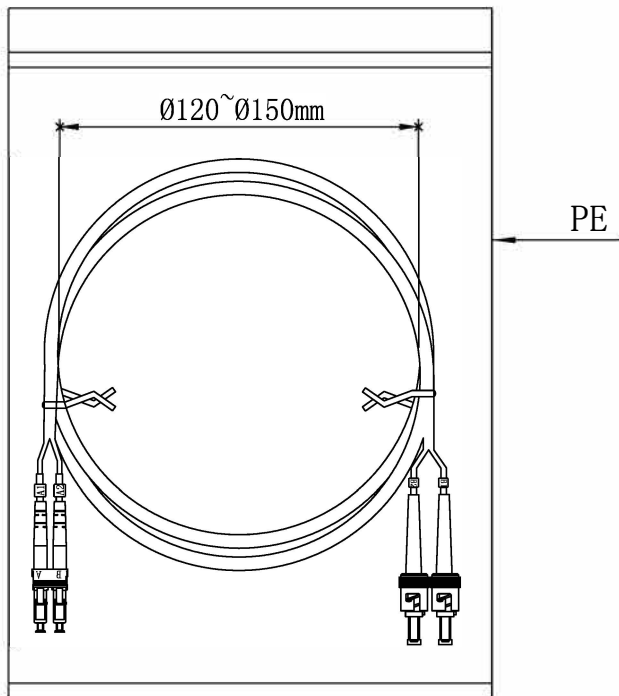
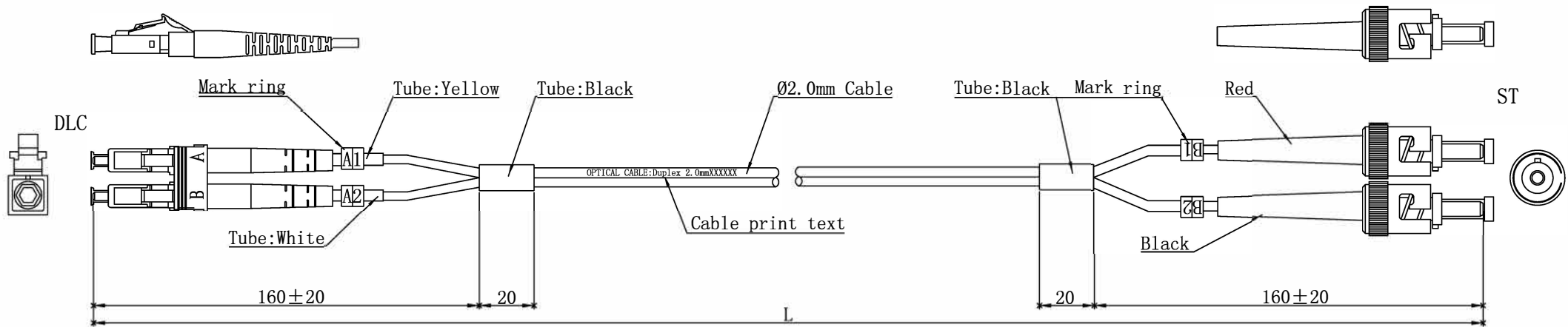


NOTE: ALL MATERIAL COMPLIANT ROHS STANDARD

REVISION INFORMATION			
Rev.	Rev. Date	Modified By	Brief Description



Specifications:

Type	DLC/UPC-ST/UPC
Fiber Mode	SM
Core Diameter(um)	9/125
Operating Wavelength(nm)	1310/1550
Cable Color	Yellow
Cable Diameter (mm)	Ø2.0
Operating Temperature(° C)	-40~+75
Storage Temperature(° C)	-40~+85
ST Connector Color (Boot)	Red/Blcak
Insertion loss(dB)	≤0.3dB
Return loss(dB)	≥50dB

$L \leq 5m$, TOLERANCES: $0 \leq \Delta L \leq 5cm$
$L > 5m$, TOLERANCES: $0 \leq \Delta L \leq 1\% * L$

Remarks:

Length	ITEM NO.
L=1M	LCST01
L=2M	LCST02
L=3M	LCST03
L=5M	LCST05
L=7M	LCST07
L=10M	LCST10


 Purchase @ LANshack.com Contact Sales at 888-568-1230
 or
 Email us at Sales@LANshack.com

NO.	PART NAME	SPECIFICATION DESCRIPTION	QTY	UNIT
①				
②				
③				

DRAWN BY CHECKED BY APPROVED BY	DATE: 2015/05/14 SHEET 1of1 SCALE 1:1	DESCRIPTION: LC-ST-DX SM Patchcord ITEM NO. REV. 00 UNIT:mm
---------------------------------------	--	---

Unless specified on the drawing, tolerances are per the follows:
 .x +1
 +0.2
 .xx +0.05