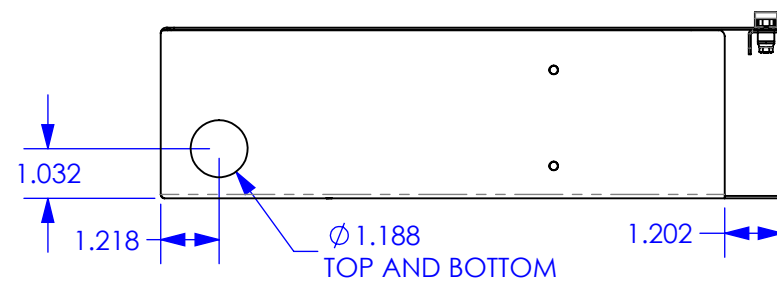
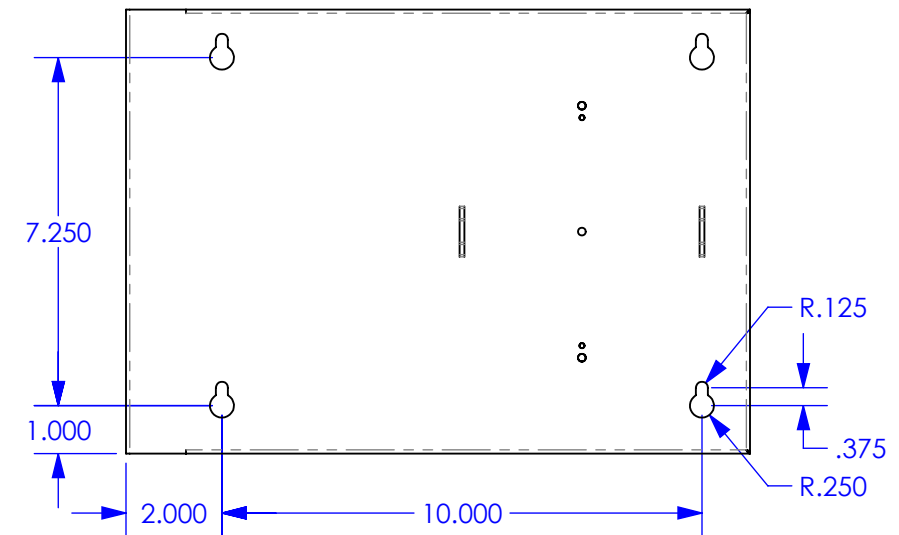
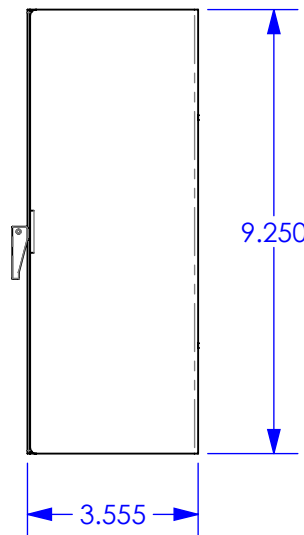
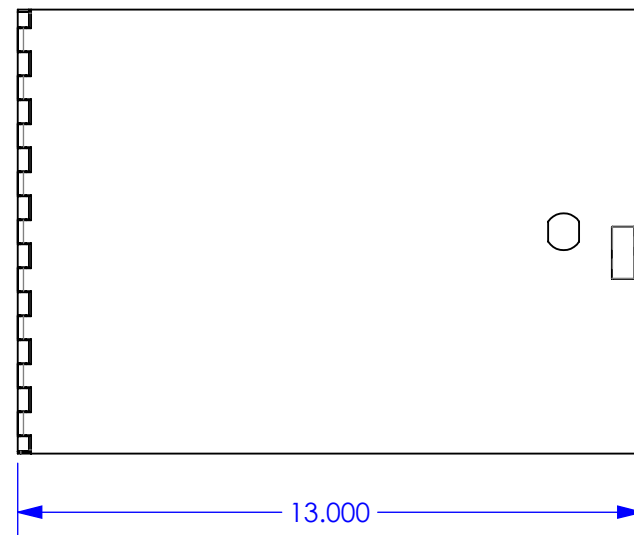
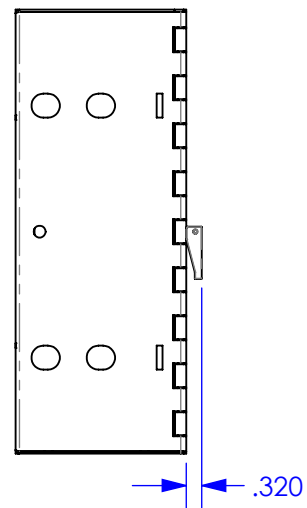
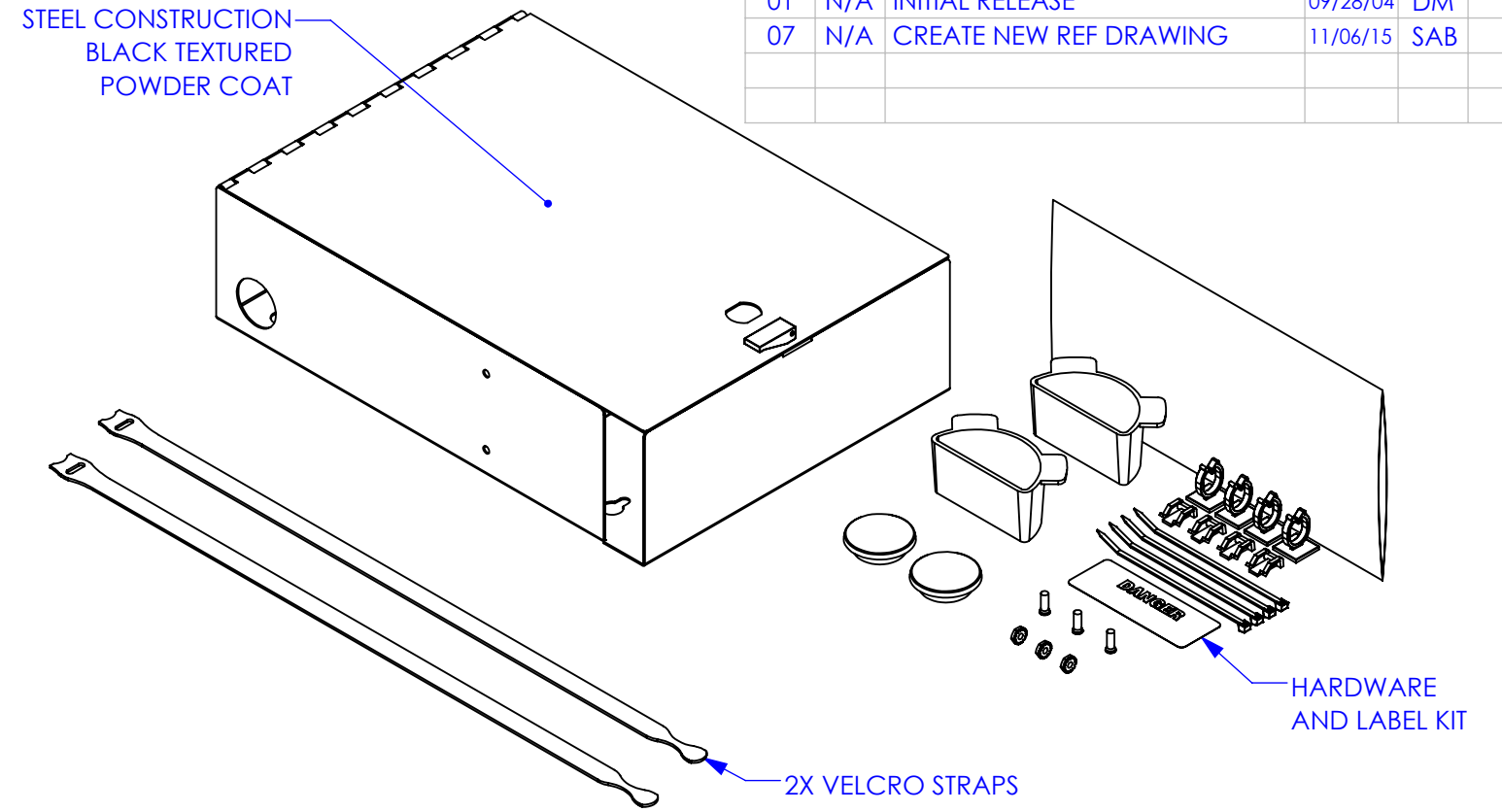
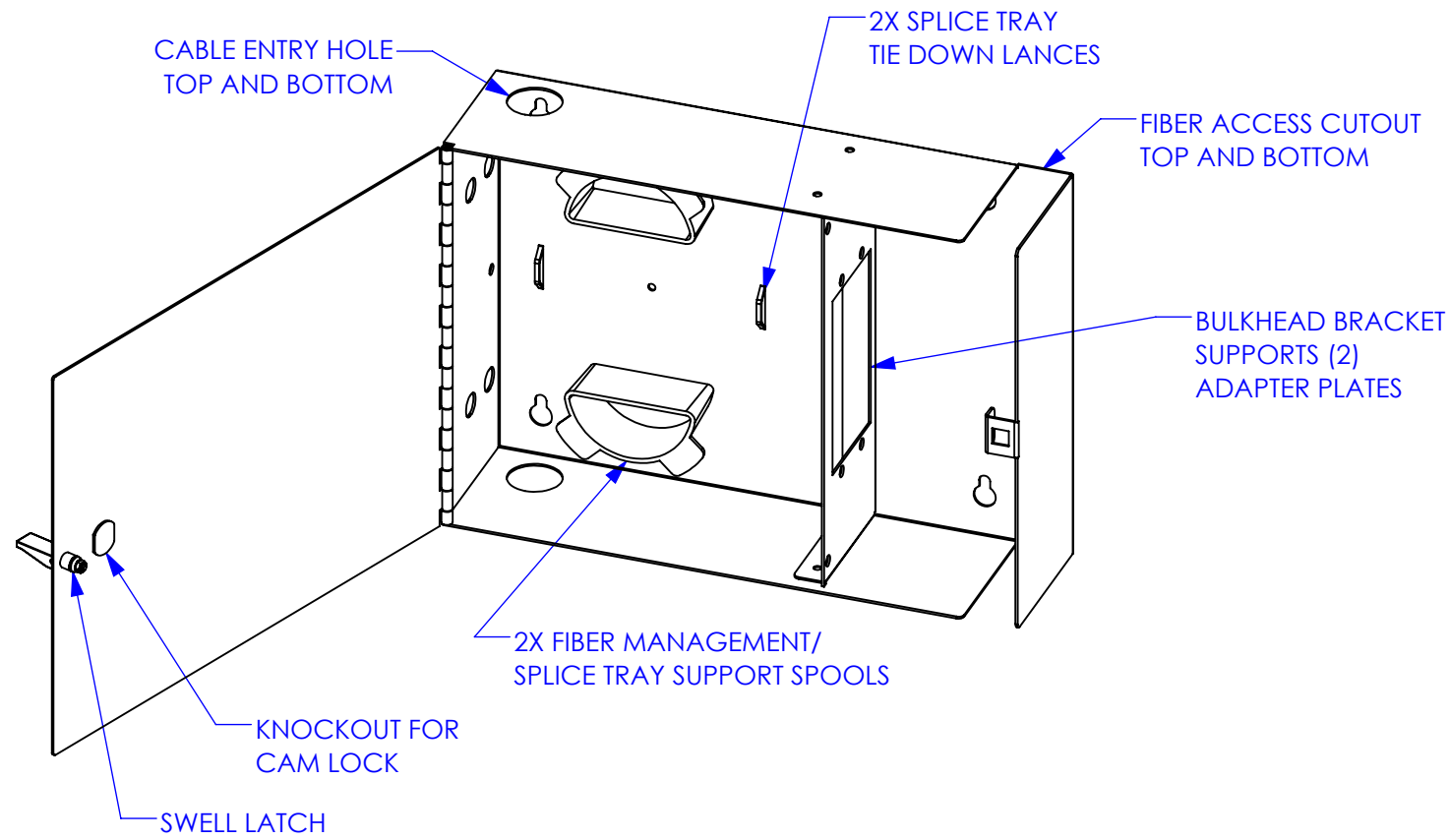


REV.	ECN #	DESCRIPTION OF CHANGE	DATE	BY	MFG ENG
01	N/A	INITIAL RELEASE	09/28/04	DM	
07	N/A	CREATE NEW REF DRAWING	11/06/15	SAB	



UNLESS OTHERWISE SPECIFIED DIMENSIONS ARE IN INCHES TOLERANCES ARE:

FRACTIONS: ±1/32    DECIMALS: .XX=±.03    ANGLES: ±1°  
 .XXX=±.010

ALL FLATS TO BE ±.005

**NO SHARP EDGES OR BURRS ALLOWED**

MATERIAL: SEE B.O.M.  
 FINISH: BLACK TEXTURED

DO NOT SCALE DRAWING

THIS DOCUMENT AND THE INFORMATION CONTAINED THEREIN ARE CONFIDENTIAL & PROPRIETARY TO MULTILINK AND MAY NOT BE COPIED OR DISCLOSED TO OTHERS WITHOUT A WRITTEN CONSENT FROM MULTILINK. THE INFORMATION IS TO BE PROMPTLY RETURNED TO MULTILINK UPON REQUEST.

DRAWN BY: DM    DATE: 09/28/04  
 CHECKED:    DATE:     
 MFG ENG:    DATE:     
 QUALITY ENG:    DATE:   

**Multilink**

WM-2X-BK MULTILITE

SIZE B    DWG. NO. 10-7944REF    REV. 07  
 SCALE: 1:4    CAD FILE: 10-7944REF    SHEET: 1 OF 1