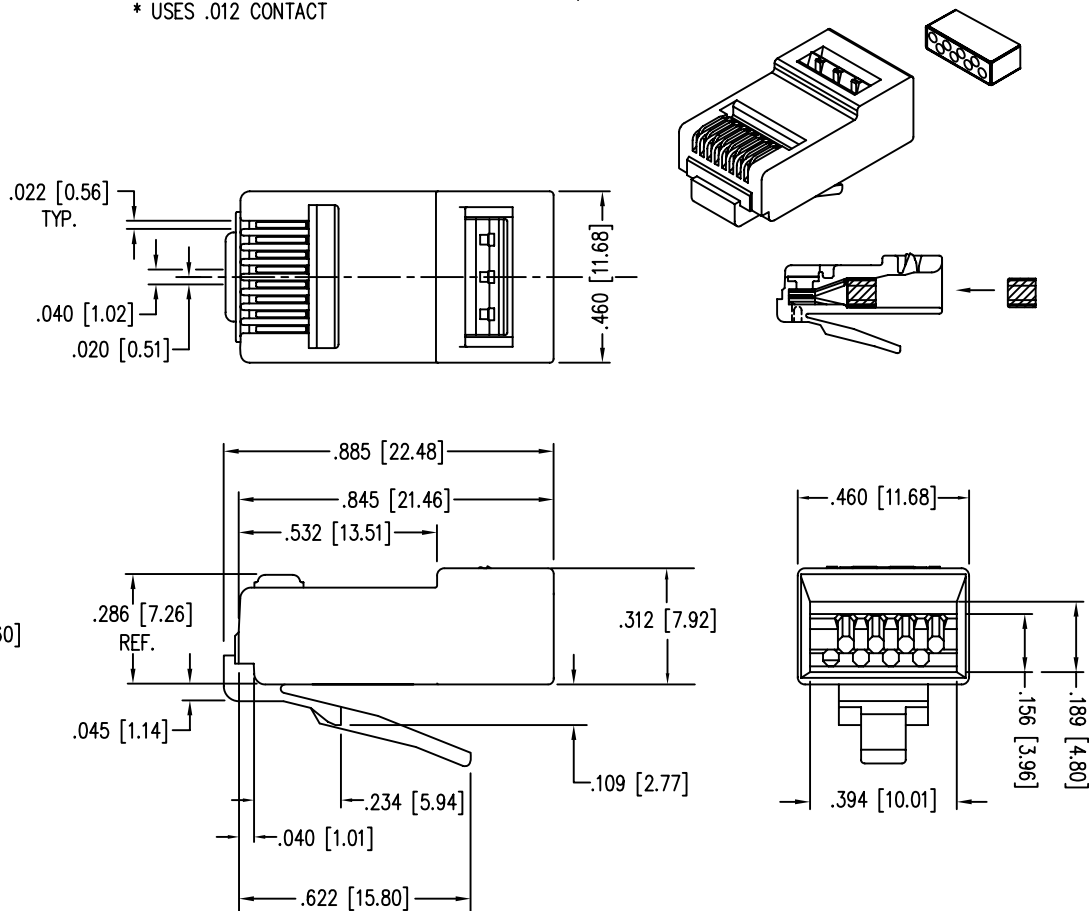




**QuickTrex™ Category 5E, 8 Conductor Modular Plugs
w/ Loadbar - Bag of 100**

Part no: QT-LS5U-P100

- * EIGHT CONDUCTOR MODULAR PLUG
- * FOR HIGH SPEED APPLICATION
- * FOR CONDUCTORS WITH AN O.D. RANGE OF .037/.042
- * USES .012 CONTACT



SPECIFICATIONS :

PERFORMANCE:

EXCEEDS CATEGORY 5 EIA/TIA 2840, ANNEX B SPECIFICATION

CONTACT MATERIAL:

PHOSPHOR BRONZE - .012 THK

CONTACT PLATING:

50 MICRO-INCH
SELECTIVE 24 CARAT HARD GOLD PLATE IN CONTACT AREA
OVER 100 MICRO-INCH MINIMUM NICKEL PLATE
PER CURRENT SELECTIVE GOLD PLATING REQUIREMENTS.

PLUG MATERIAL:

POLYCARBONATE

**PLUG TOLERANCES
AND DIMENSIONS:**

COMPLIES WITH F.C.C REQUIREMENTS

U.L. RECOGNIZED

File# E188111

FLAME AUTO EXTINGUISH

94-V0

OPERATION TEMPERATURE:

-40°C TO +70°C

INSERTION/EXTRACTION LIFE:

1000 CYCLES

CONTACT RESISTANCE:

10 MILLOHMS MAX.

CURRENT/VOLTAGE:

30 VAC/42 VDC AT 1.5 AMPS

To find a distributor of this product go to:
<http://www.quicktrex.com/distributors>